

TL
LINE INPUT
TC
LINE OUTPUT

105-125VAC
60 ~

ON OFF
SY

TO PIN 1 OF 3A4
TO PIN 7 OF 3A4

FILAMENT

BIAS

SIGNAL

GRID CURRENT

LEAKAGE

9-PIN MINIATURE TUBE SOCKET

PILLOT LIGHT TEST SOCKET IN CENTER OF LARGE 7-PIN TUBE SOCKET

V2

CH

CA

CR3

CR4

CR

CD

CE

CF

CG

CH

CI

CJ

CK

CL

CM

CN

CO

CP

CQ

CR

CS

CT

CU

CV

CW

CX

CY

CZ

DA

DB

DC

DD

DE

DF

DG

DH

DI

DJ

DK

DL

DM

DN

DO

DP

DQ

DR

DS

DT

DU

DV

DW

DX

DY

DZ

EA

EB

EC

ED

EE

EF

EG

EH

EI

EJ

EK

EL

EM

EN

EO

EP

EQ

ER

ES

ET

EU

EV

EW

EX

EY

EZ

FA

FB

FC

FD

FE

FF

FG

FH

FI

FJ

FK

FL

FM

FN

FO

FP

FQ

FR

FS

FT

FU

FV

FW

FX

FY

FZ

GA

GB

GC

GD

GE

GF

GG

GH

GI

GJ

GK

GL

GM

GN

GO

GP

GQ

GR

GS

GT

GU

GV

GW

GX

GY

GZ

HA

HB

HC

HD

HE

HF

HG

HH

HI

HJ

HK

HL

HM

HN

HO

HP

HQ

HR

HS

HT

HU

HV

HW

HX

HY

HZ

IA

IB

IC

ID

IE

IF

IG

IH

II

IJ

IK

IL

IM

IN

IO

IP

IQ

IR

IS

IT

IU

IV

IW

IX

IY

IZ

JA

JB

JC

JD

JE

JF

JG

JH

JI

JJ

JK

JL

JM

JN

JO

JP

JQ

JR

JS

JT

JU

JV

JW

JX

JY

JZ

KA

KB

KC

KD

KE

KF

KG

KH

KI

KJ

KK

KL

KM

KN

KO

KP

KQ

KR

KS

KT

KU

KV

KW

KX

KY

KZ

LA

LB

LC

LD

LE

LF

LG

LH

LI

LJ

LK

LL

LM

LN

LO

LP

LQ

LR

LS

LT

LU

LV

LW

LX

LY

LZ

MA

MB

MC

MD

ME

MF

MG

MH

MI

MJ

MK

ML

MM

MN

MO

MP

MQ

MR

MS

MT

MU

MV

MW

MX

MY

MZ

NA

NB

NC

ND

NE

NF

NG

NH

NI

NJ

NK

NL

NM

NN

NO

NP

NQ

NR

NS

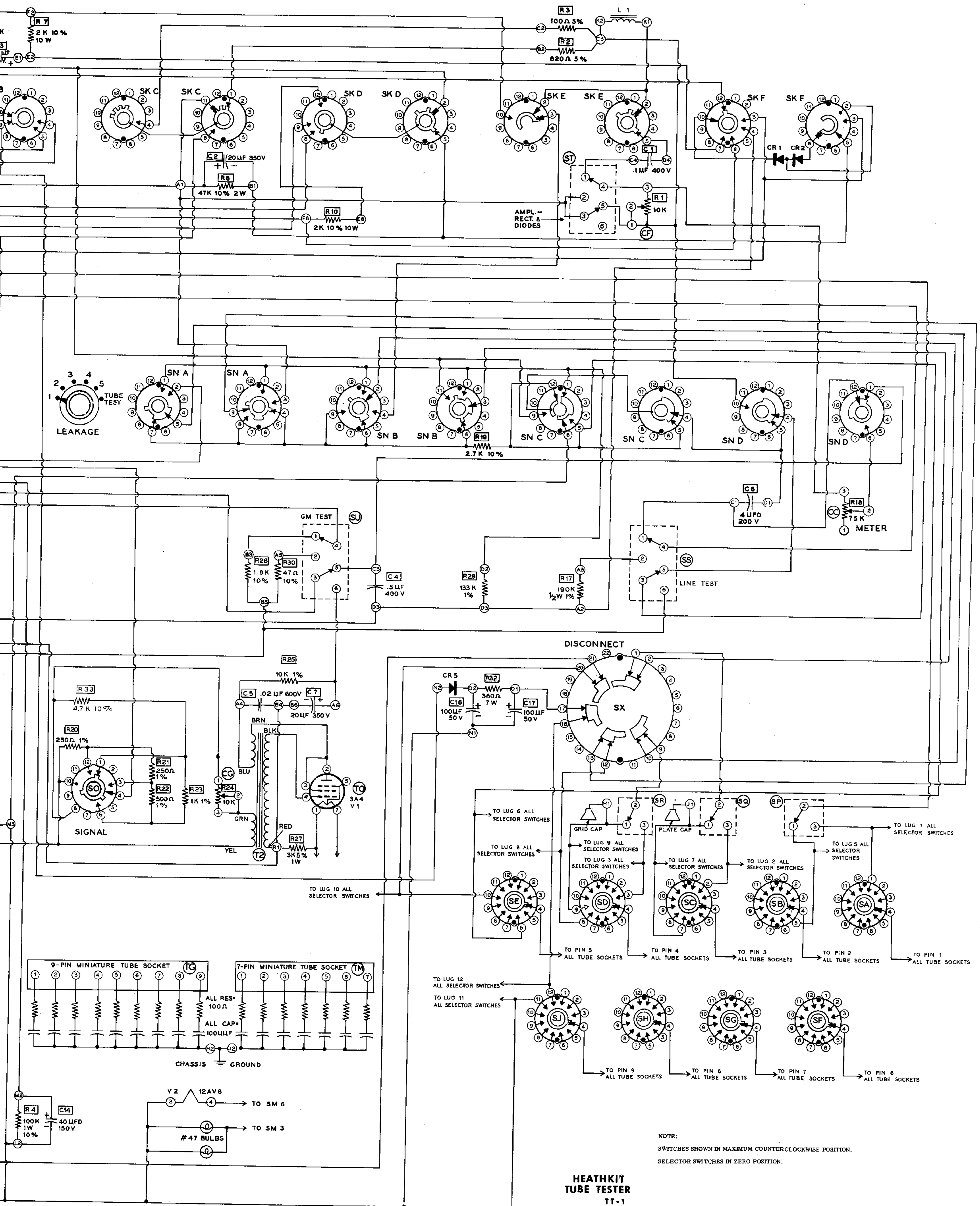
NT

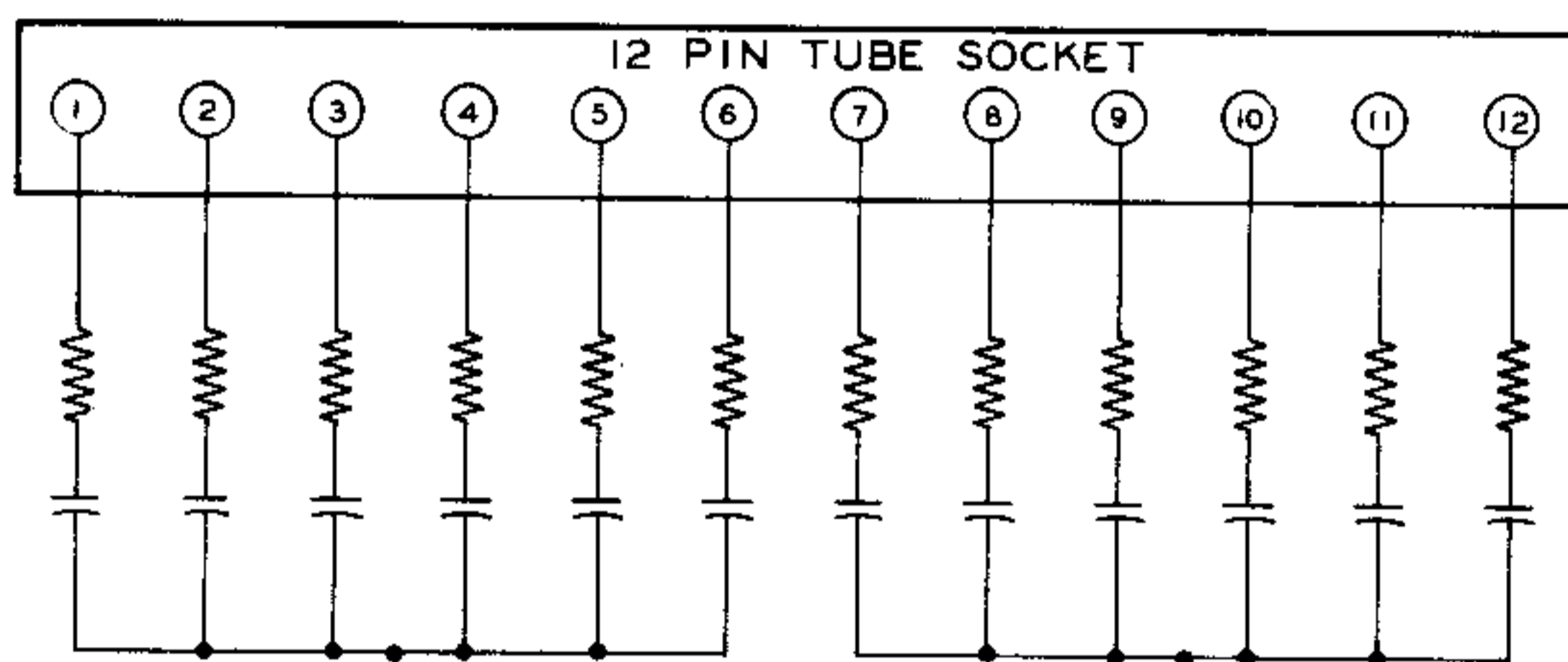
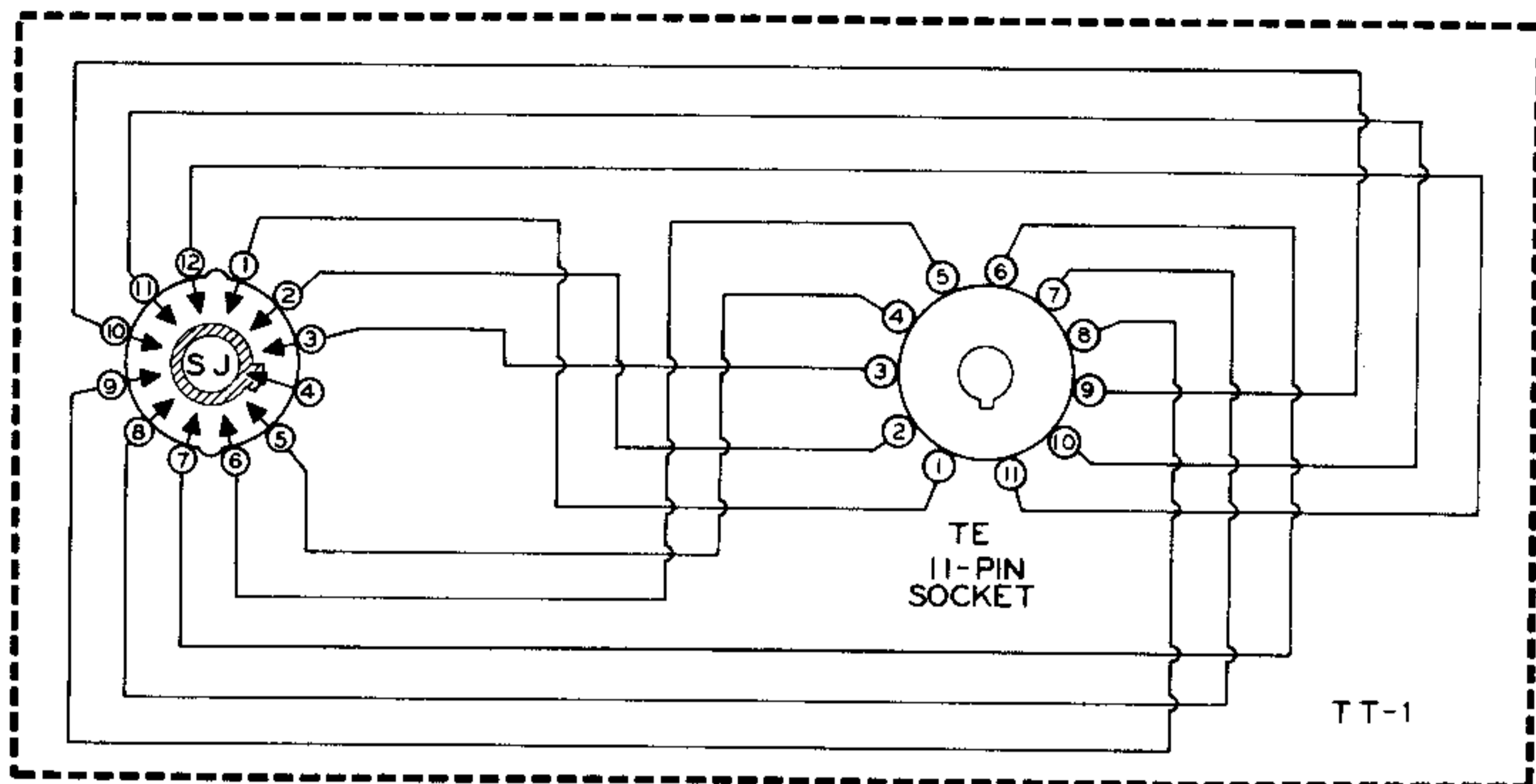
NU

NV

NW

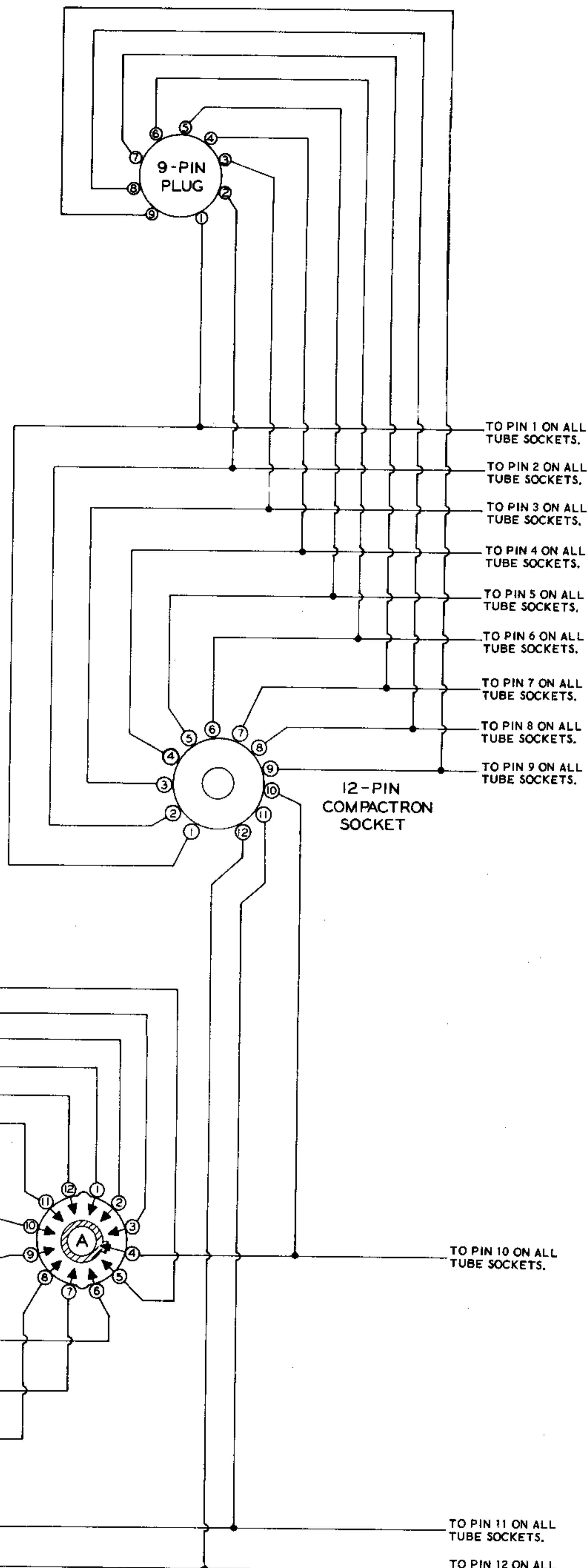
NX





ALL RESISTORS = 100Ω
ALL CAPACITORS = 100 μUF

TTA-1-1 CHASSIS



SCHMATIC OF THE HEATHKIT
TUBE SOCKET ADAPTER
MODEL TT-1A