

MODEL **SW-717 Shortwave Receiver**

# **HEATHKIT<sup>®</sup>**

## **ASSEMBLY MANUAL**



PRICE \$2.00



Copyright © 1971  
Heath Company  
All rights reserved.

595-1293-04

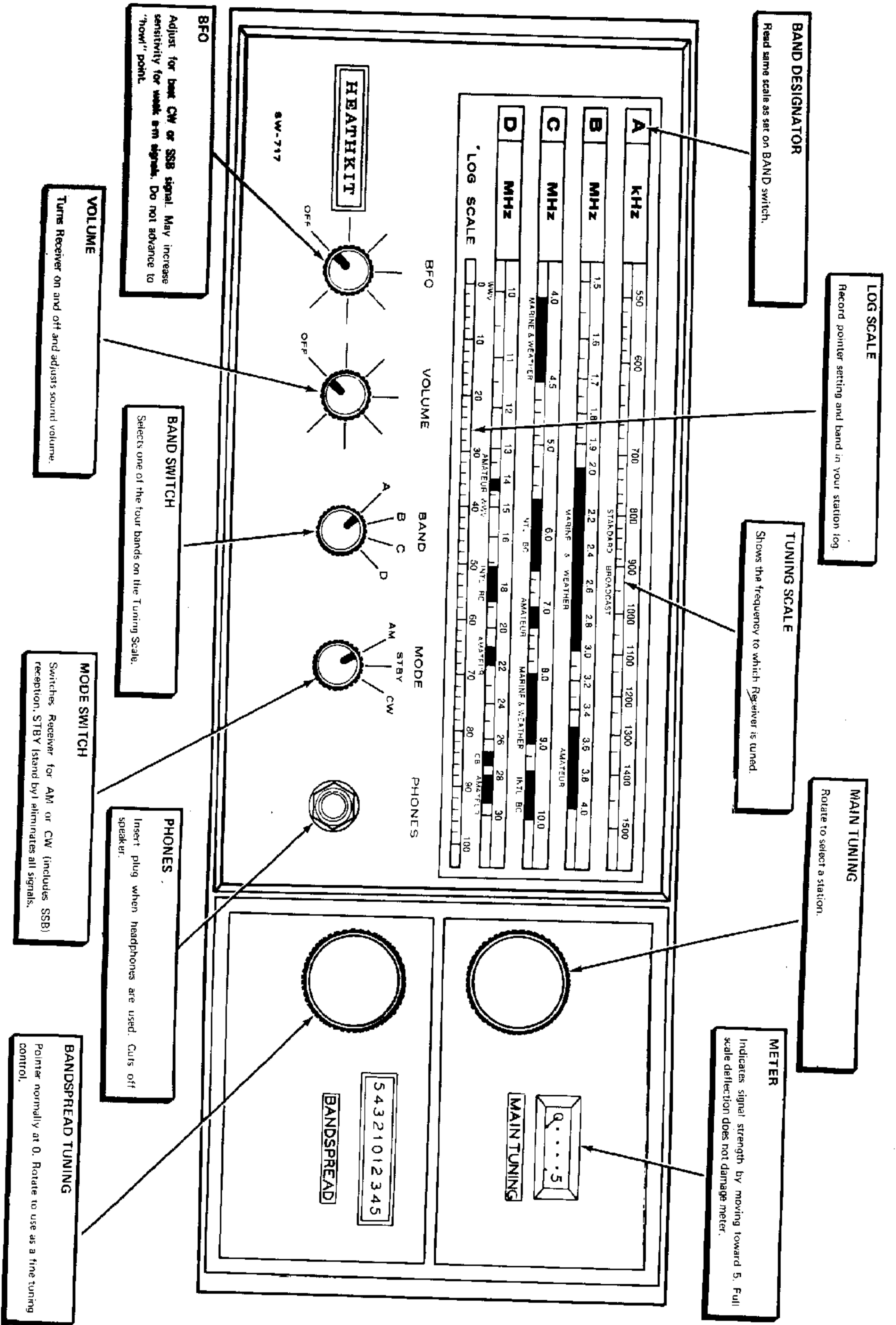
# INTRODUCTION

The Heathkit Model SW-717 Shortwave Receiver is designed to receive both the standard broadcast and the short wave bands. The receiver tunes from 550 kHz to 30 MHz in four overlapping bands.

The Receiver features electrical bandspread for all four bands, a relative signal strength meter, a BFO control, an automatic noise limiter, and a headphone jack. There is also a built-in rod antenna for the broadcast band and provisions for connecting an external antenna for shortwave reception.

Solid-state circuitry is used throughout. Most of the components are mounted on a printed circuit board both for ease of assembly and for reliability. The built-in power supply is transformer operated from either 120 Vac or 240 Vac and uses four silicon diodes in a full-wave bridge circuit.

*Refer to the "Kit Builders Guide" for complete information on unpacking, parts identification, tools, wiring, soldering, and step-by-step assembly procedures.*



**Figure 4**

# OPERATION

Before attempting to use the Receiver, carefully read the explanation of each control. Figure 4 (fold-out from Page 52) illustrates the front panel and describes the control functions. Figure 5 illustrates the rear panel.

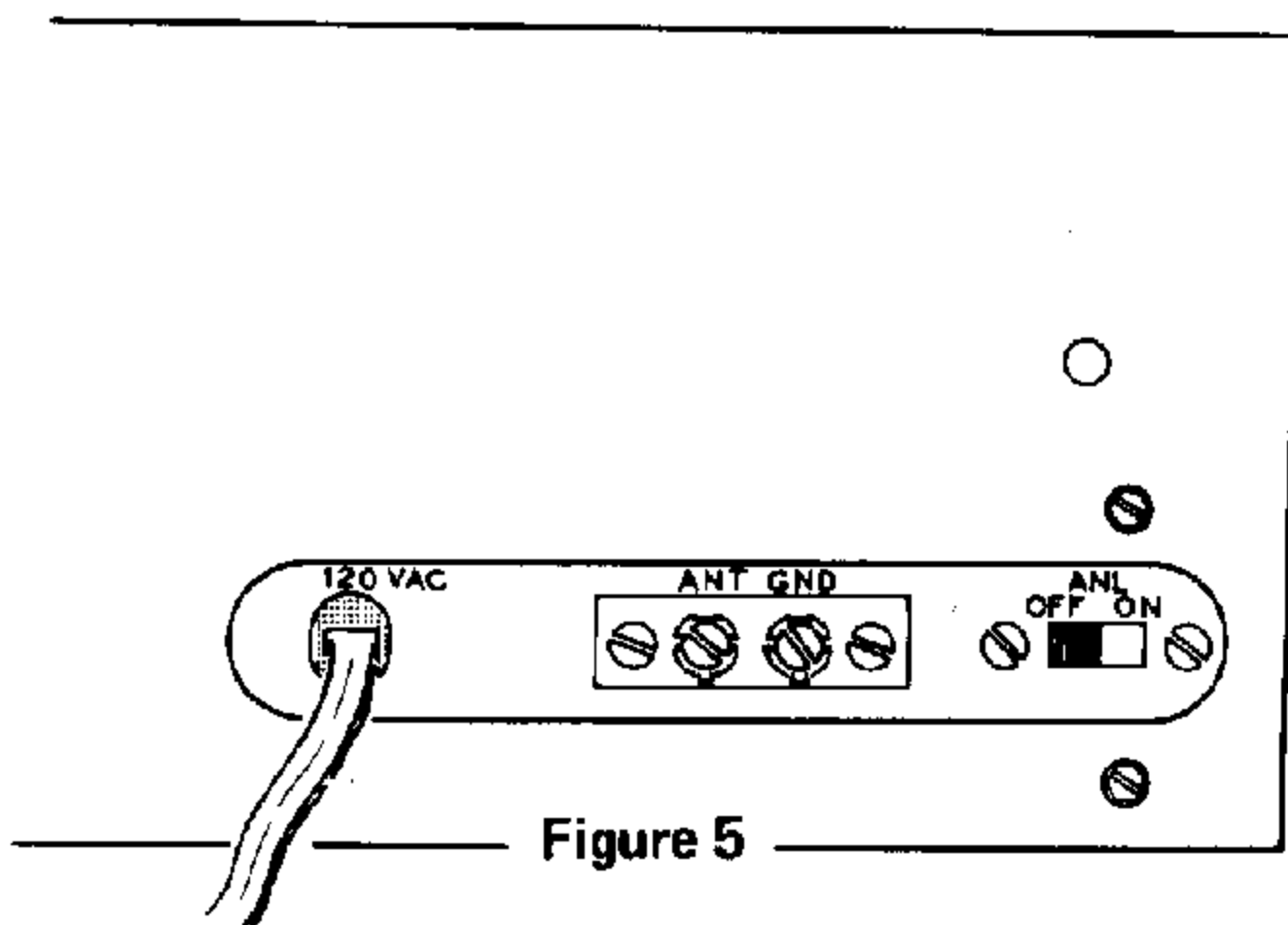


Figure 5

## CONTROLS

**VOLUME** - Turns the Receiver on or off and controls the sound from the speaker or headphones.

**BFO** - Required for the reception of CW or SSB (single sideband) signals. Turn the control clockwise until the signals are received as desired.

**MODE** - Selects AM, STBY, or CW (including SSB) modes of reception. In the AM position the AVC voltage is on; in the CW position the AVC voltage is off. In the STBY position the Receiver is kept warmed up and ready for instant use but it is kept muted.

**BAND** - Selects one of four bands: A, B, C, or D.

**MAIN TUNING** - Tunes the Receiver to the desired station.

**BANDSPREAD** - Provides fine tuning for the MAIN TUNING capacitor to help separate the incoming signals from each other when they are near the same frequency. This capacitor is normally left in the "0" position as its position affects the main dial calibration.

## AM OPERATION

The BFO control should be in the fully counterclockwise position. Turn the MODE switch to AM and advance the VOLUME control for sufficient volume. Set the BAND switch to the desired band and tune in a station with the MAIN TUNING control.

Turn the BANDSPREAD control until the desired station is clearest.

When listening to weak stations, slowly adjust the BFO control for the loudest and clearest reception.

## CW-SSB OPERATION

Turn the BFO control 3/4 turn clockwise. Turn the MODE switch to CW and set the BAND switch to one of the shortwave bands, B, C, or D.

With the MAIN TUNING control, tune in a CW station. Adjust the BFO control as follows: Turn the control fully clockwise and then slowly counterclockwise until the clearest tone is produced. The frequency of this tone may be varied either with the MAIN TUNING or the BANDSPREAD capacitor. Some experimentation will be necessary to find the best position for the BFO control.

When tuning SSB signals, tune to the SSB station and then alternate between the BANDSPREAD and BFO controls for the clearest reception.

### AUTOMATIC NOISE LIMITER (ANL)

If you experience impulse type noise, such as automobile ignition radiations, move the (ANL) switch on the rear panel to ON.

### LOCATION

If the Receiver is used on band A (which uses the built-in antenna) in a house which has aluminum siding, or in a steel

framed building, you may find the signals attenuated to some degree. Placing the Receiver near a window in the direction from which reception is desired may improve reception.

### TUNING SCALE

A scale for each of the four bands appears on the front panel as shown in Figure 4. Each scale is calibrated in frequency. Scale A frequencies are in kilohertz (thousands of cycles per second). The other three scales are calibrated in megahertz (millions of cycles per second). A "log scale" is also provided for convenience in recording the pointer setting of stations for future reference.

## RECEPTION GUIDE

<u>BAND</u>	<u>FREQUENCY</u>	<u>TIME</u>	<u>ZONE</u>
B	2.0 MHz	All day	Marine and Weather
B	3.5 MHz	All day	Local (Amateur)
C	6 MHz	Evening	Latin America and Europe
C	7 MHz	Evening	Europe
C	7 MHz	Late afternoon, Evening	Europe
C	7 MHz	Morning	United States (Amateur)
C	9 MHz	Morning	Asia and Australia
C	9 MHz	Afternoon	Europe and Africa
C	9 MHz	Evening	Europe and Latin America
D	11 MHz	Morning	Asia and Australia
D	11 MHz	Evening	Latin America
D	14 MHz	Late morning, Afternoon	United States, Foreign, (Amateur)
D	15 MHz	Late morning, Afternoon	Europe and North America
D	15 MHz	Evening	North and Latin America
D	17 MHz	Afternoon	Europe
	17 MHz	All day	United States
	17 MHz	Evening	South America
D	20 MHz	Afternoon	Europe
	20 MHz	All day	United States
	20 MHz	Evening	South America
D	27 MHz	All day	Local (Citizen's Band)
D	28 MHz	Morning	Europe
	28 MHz	All day	Central America, United States (Amateur),
		Evening	Asia

These reception conditions prevail in the spring and fall of the year. They are also subject to varying atmospheric conditions, sun spot activities, and to some extent, weather conditions. In the winter, reception generally will be best on the lower frequency bands. In summer, reception will be better on higher frequency bands.

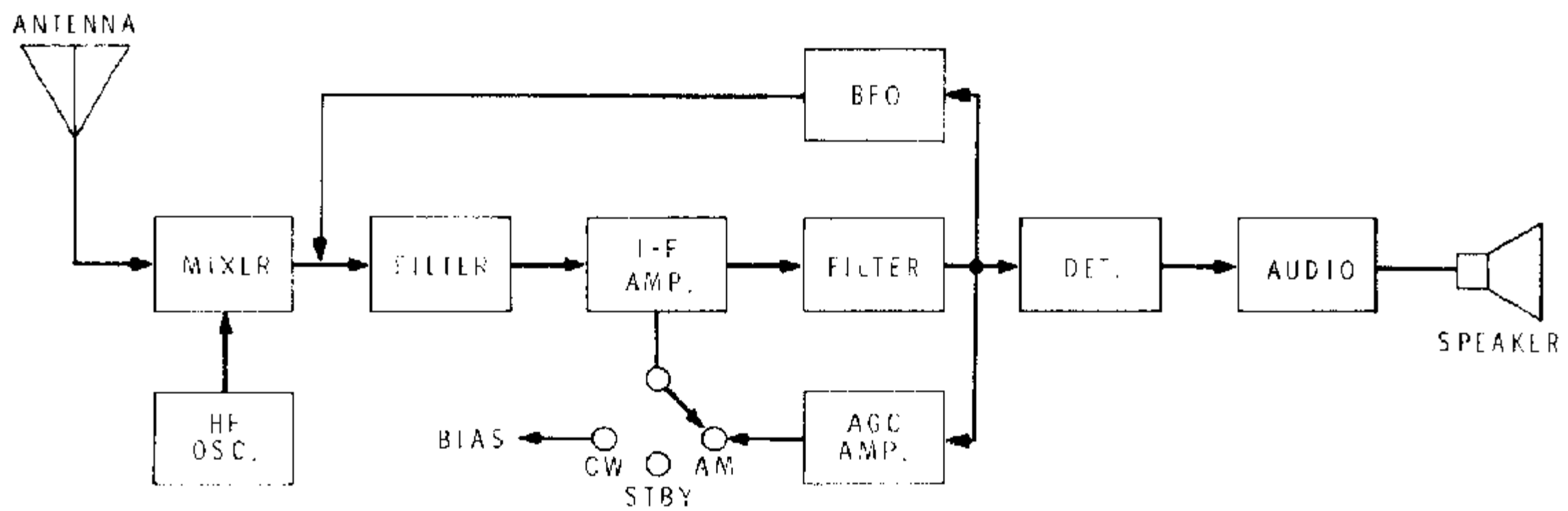
# SPECIFICATIONS

## Frequency Coverage:

Band A . . . . .	550 kHz to 1500 kHz.
Band B . . . . .	1.5 MHz to 4 MHz.
Band C . . . . .	4 MHz to 10 MHz.
Band D . . . . .	10 MHz to 30 MHz.
Meter . . . . .	Indicates relative signal strength.
Headphone Jack . . . . .	Low impedance headphones or an external speaker.
Loudspeaker . . . . .	Built in.
Controls . . . . .	VOLUME, with on-off switch. MODE (a-m, Standby and CW). BFO. MAIN TUNING. BANDSPREAD TUNING. ANL (on-off).
Transistor Complement . . . . .	40673: mixer and rf amplifier. 2N3393: audio preamplifier. 2N5232A: i-f amplifier, agc amplifier. 2N5308: i-f amplifier. MPF 105: oscillator. MPSU05: final audio amplifier. MPSU55: final audio amplifier. X29A829: audio driver.
Power Supply . . . . .	Transformer operated. Full-wave bridge rectifier.
Voltage Requirements . . . . .	120 Vac or 240 Vac, 50/60 Hz.

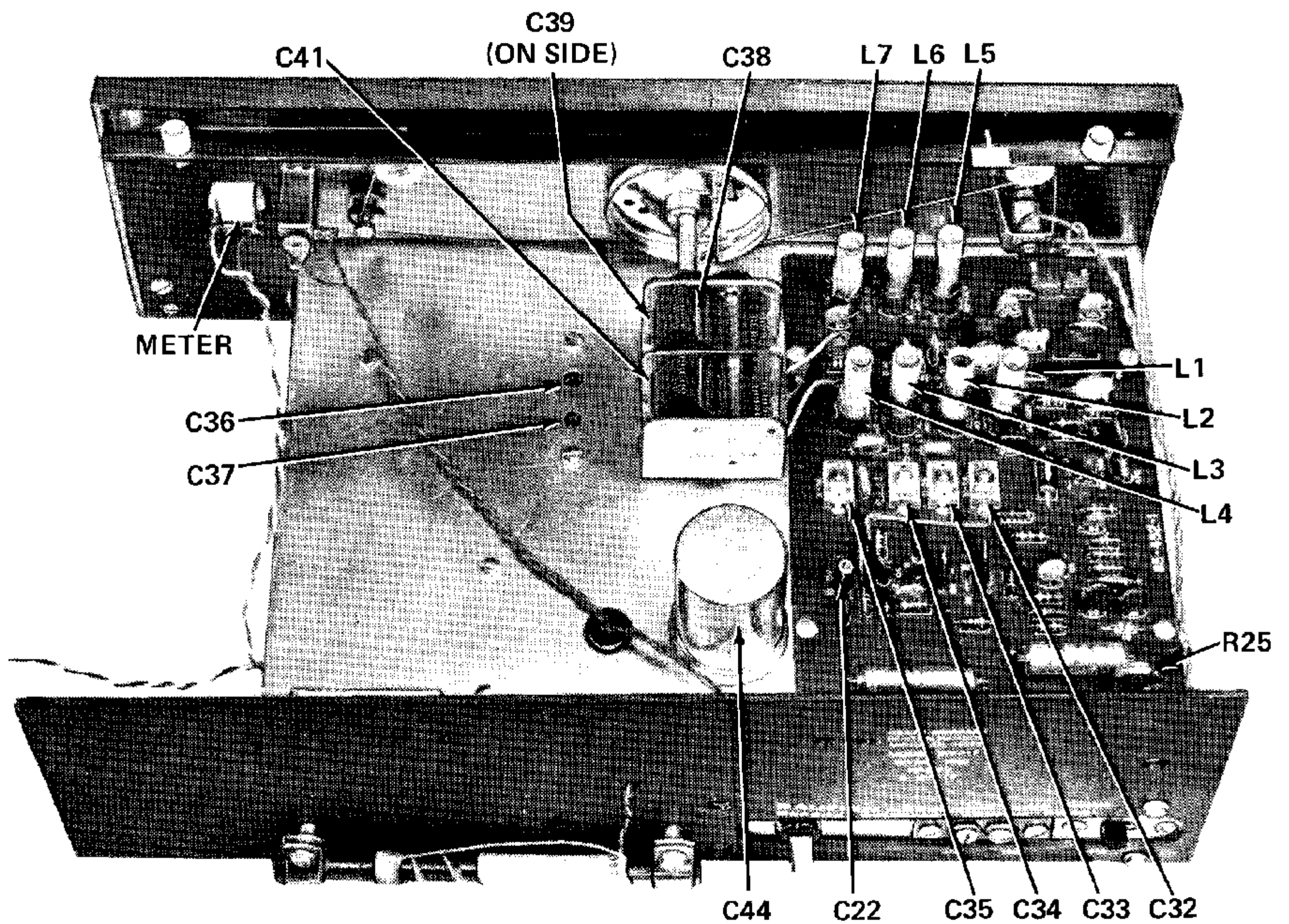
Power Requirements . . . . . 8 Watts.  
Dimensions . . . . . 14-1/2" wide, 5-3/4" high, 10" deep.  
Weight . . . . . 7 lbs.

The Heath Company reserves the right to discontinue products and to change specifications at any time without incurring any obligation to incorporate new features in products previously sold.

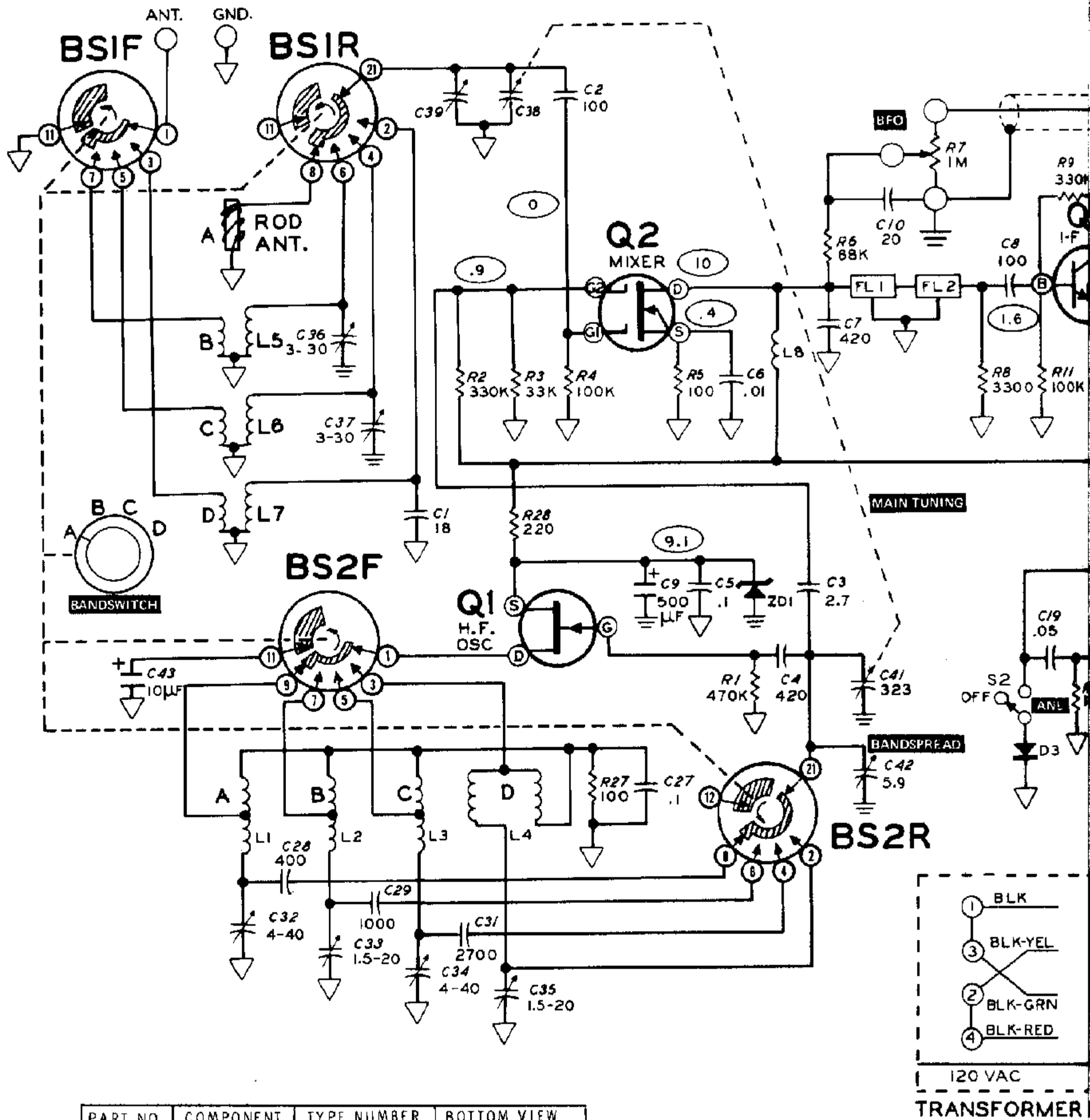


### BLOCK DIAGRAM

# CHASSIS PHOTOGRAPHS



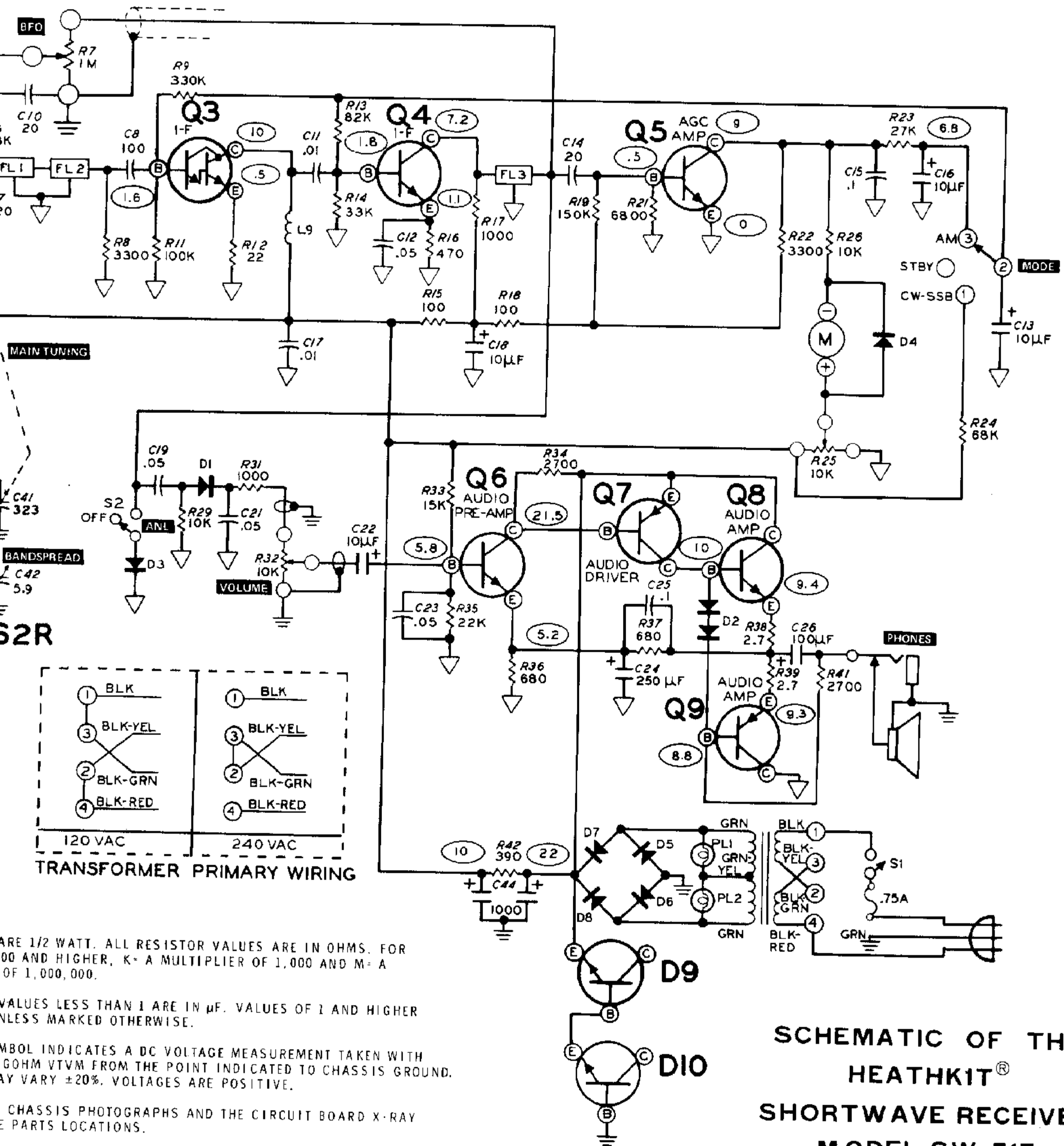




PART NO.	COMPONENT	TYPE NUMBER	BOTTOM VIEW
417-169	Q1	MPF 105	
417-240	Q2	40673	
417-222 417-91 417-118 417-201	Q3 Q4, Q5 Q6, D9, D10 Q7	2N5308 2N5232A 2N3393 X29A829	
417-224 417-225	Q8 Q9	MPSU05 MPSU55	
56-26	D1, D3, D4	1N191	
56-61	D2	STB-620	
57-65	D5, D6, D7, D8	1N4002	
56-19	ZD1	ZENER, 9.1V, 25MA, 1W	

NOTES:

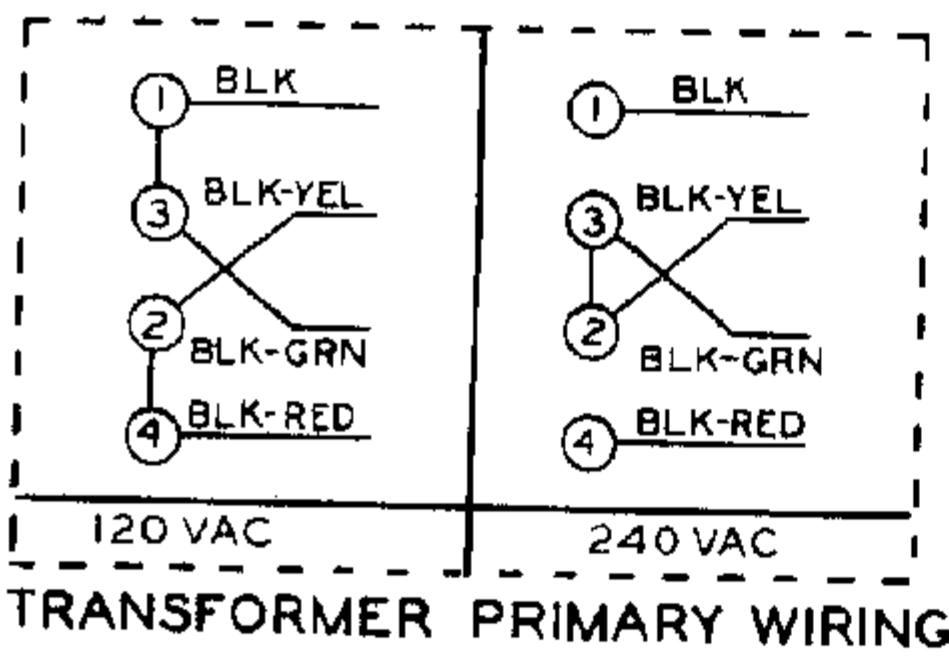
- RESISTORS ARE 1/2 WATT. ALL RESISTOR VALUES 10,000 AND HIGHER, K= A MULTIPLIER OF 1,000,000.
- CAPACITOR VALUES LESS THAN 1 ARE IN PF UNLESS MARKED OTHERWISE.
- THIS SYMBOL INDICATES A DC VOLTAGE. AN 11 MEGOHM VTVM FROM THE POINTS INDICATED. VOLTAGES MAY VARY ±20%.
- REFER TO THE CHASSIS PHOTOGRAPHS FOR THE PARTS LOCATIONS.
- BANDSWITCH WAFERS ARE VIEWED FROM THE FRONT. THE ARROW SHOWS THE PIN CONNECTS THE OPPOSITE SIDES OF THE WAFER.
- CONNECTIONS FOR THE POWER TRANSFORMER IN THE BOXED INSET DRAWING.



MAIN TUNING

BANDSPREAD

S2R



ALL RESISTOR VALUES ARE IN OHMS. FOR 100 AND HIGHER, K = A MULTIPLIER OF 1,000 AND M = A MULTIPLIER OF 1,000,000.

RESISTOR VALUES LESS THAN 1 ARE IN  $\mu$ F. VALUES OF 1 AND HIGHER ARE IN OHMS UNLESS MARKED OTHERWISE.

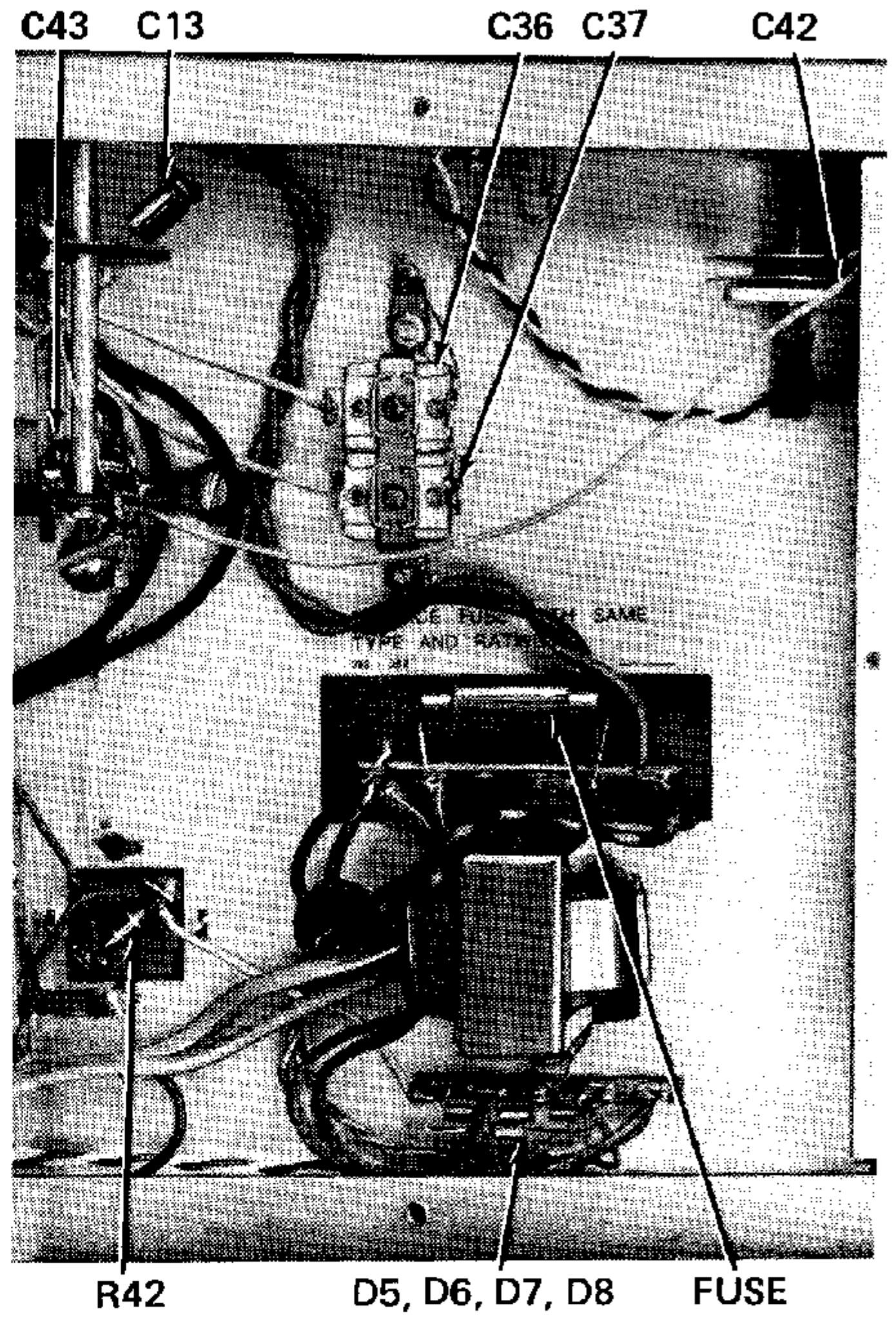
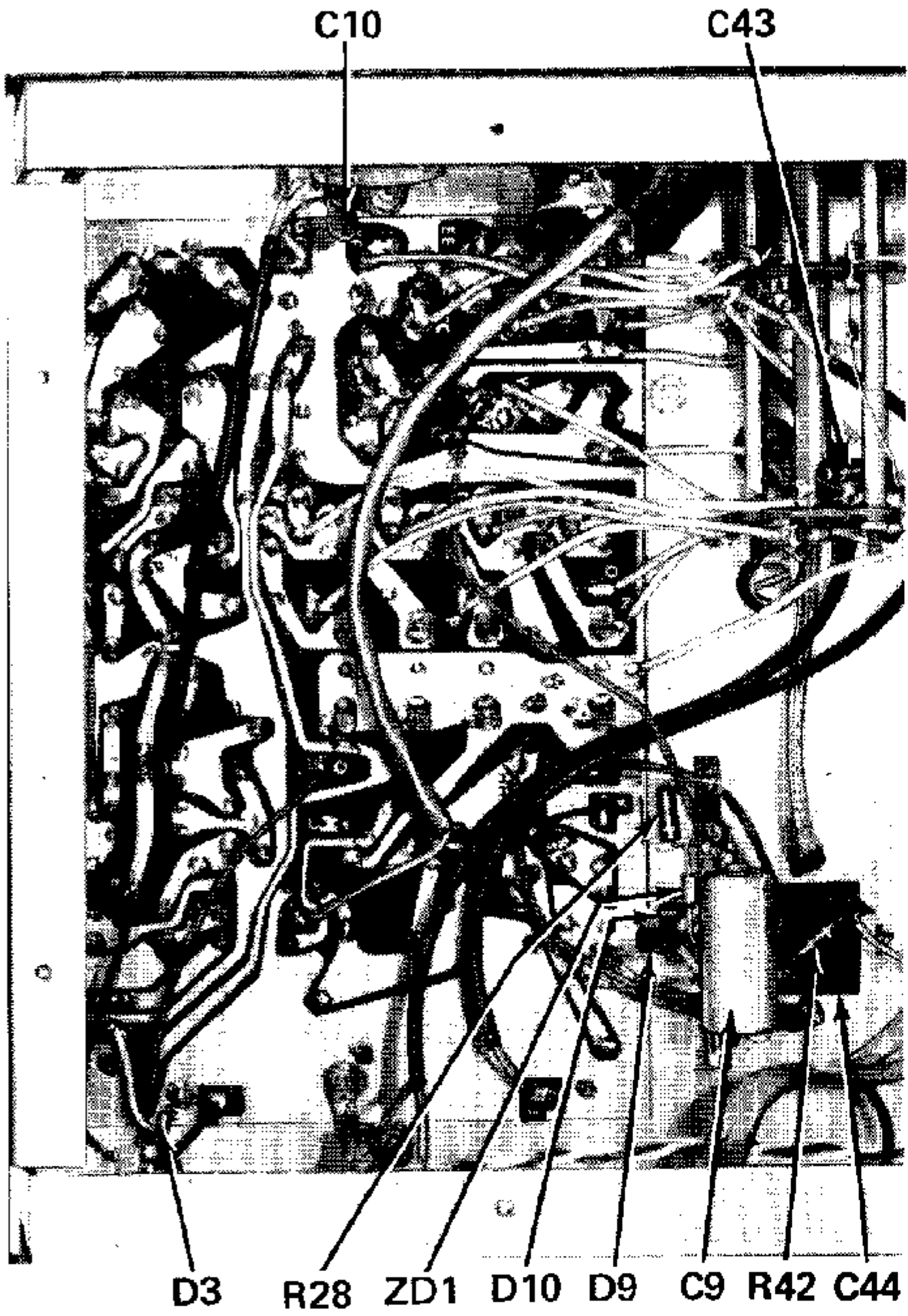
THE SYMBOL INDICATES A DC VOLTAGE MEASUREMENT TAKEN WITH A 100 OHM VTVM FROM THE POINT INDICATED TO CHASSIS GROUND. VOLTAGES MAY VARY  $\pm 20\%$ . VOLTAGES ARE POSITIVE.

SEE CHASSIS PHOTOGRAPHS AND THE CIRCUIT BOARD X-RAY FOR PARTS LOCATIONS.

SWAFERS ARE VIEWED FROM THE REAR. SWITCH CONTACTS ARE SHOWN FROM THE FRONT. THE ARROW SHOWS THE DIRECTION OF ROTATION. A TIE LINE INDICATES THE OPPOSITE SIDES OF THE ROTOR OF WAFER #1.

FOR THE POWER TRANSFORMER PRIMARY WIRES ARE SHOWN IN THE INSET DRAWING.

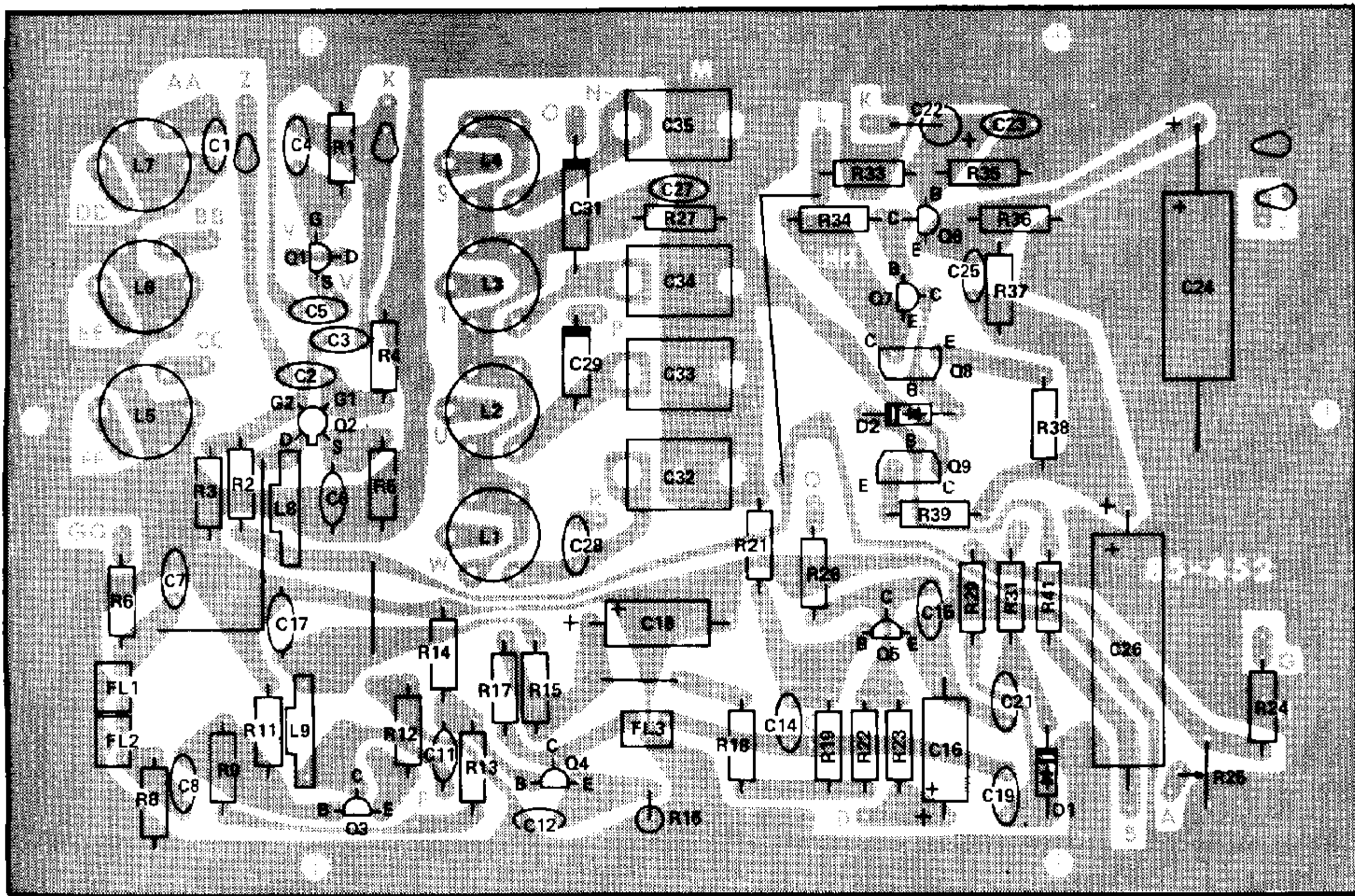
**SCHEMATIC OF THE HEATHKIT® SHORTWAVE RECEIVER MODEL SW-717**



# CIRCUIT BOARD X-RAY VIEW

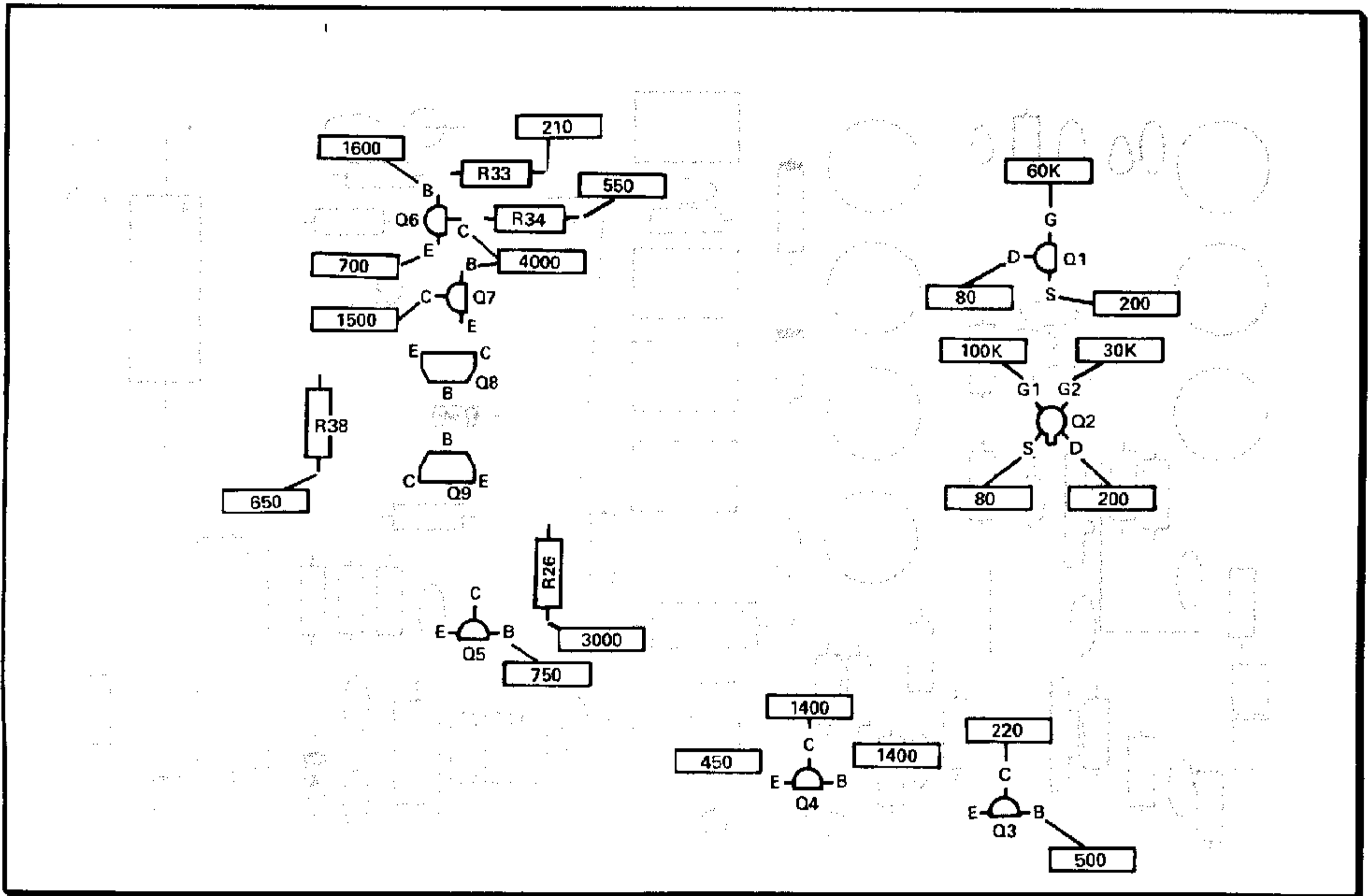
NOTE: To determine the value of one of these parts, proceed as follows:

1. Note the identification number of the part (R-number, C-number, etc.).
2. Locate the same identification number (next to the part) on the Schematic. The "Description" of the part (for example: 22 k $\Omega$ , .05  $\mu$ F) will also appear near the part.



(SHOWN FROM FOIL SIDE)

# RESISTANCE CHART



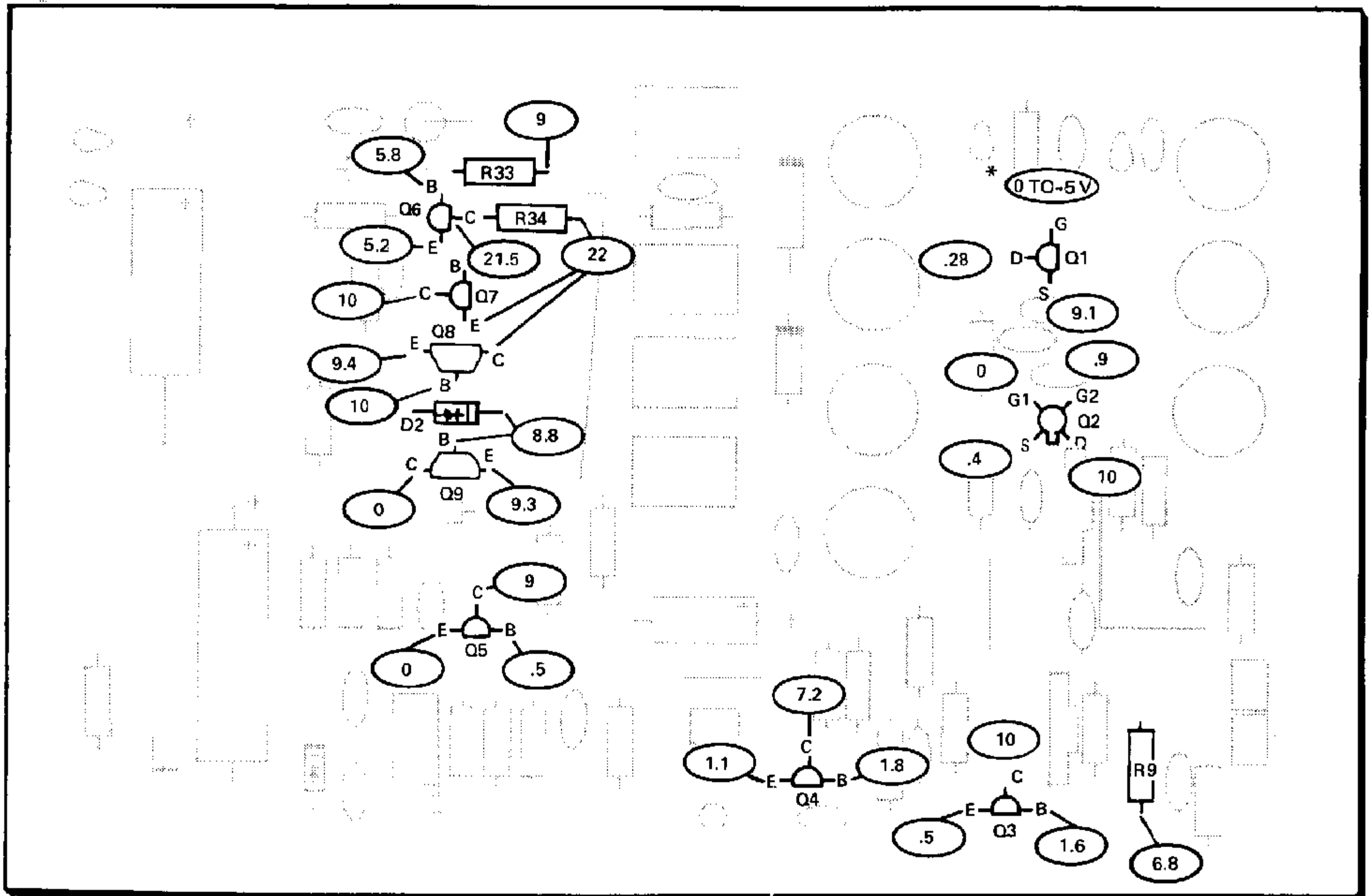
(SHOWN FROM COMPONENT SIDE)

ALL RESISTANCES ARE IN OHMS (K=1000)

CONTROL POSITIONS

VOLUME	OFF
BAND	ANY
MODE	ANY
BFO	ANY

# VOLTAGE CHART



(SHOWN FROM COMPONENT SIDE)

**SWITCHES**

OFF-VOL-ON: 11 O'CLOCK

BAND-A

AM-STBY-SSB:AM

BFO: OFF

TUNE TO A SPOT WITH NO STATION

\* VOLTAGE DEPENDS ON BAND AND DIAL POSITION

**Voltages measured to chassis with a voltmeter having an 11 megohm input impedance. Voltages may vary 20%.**