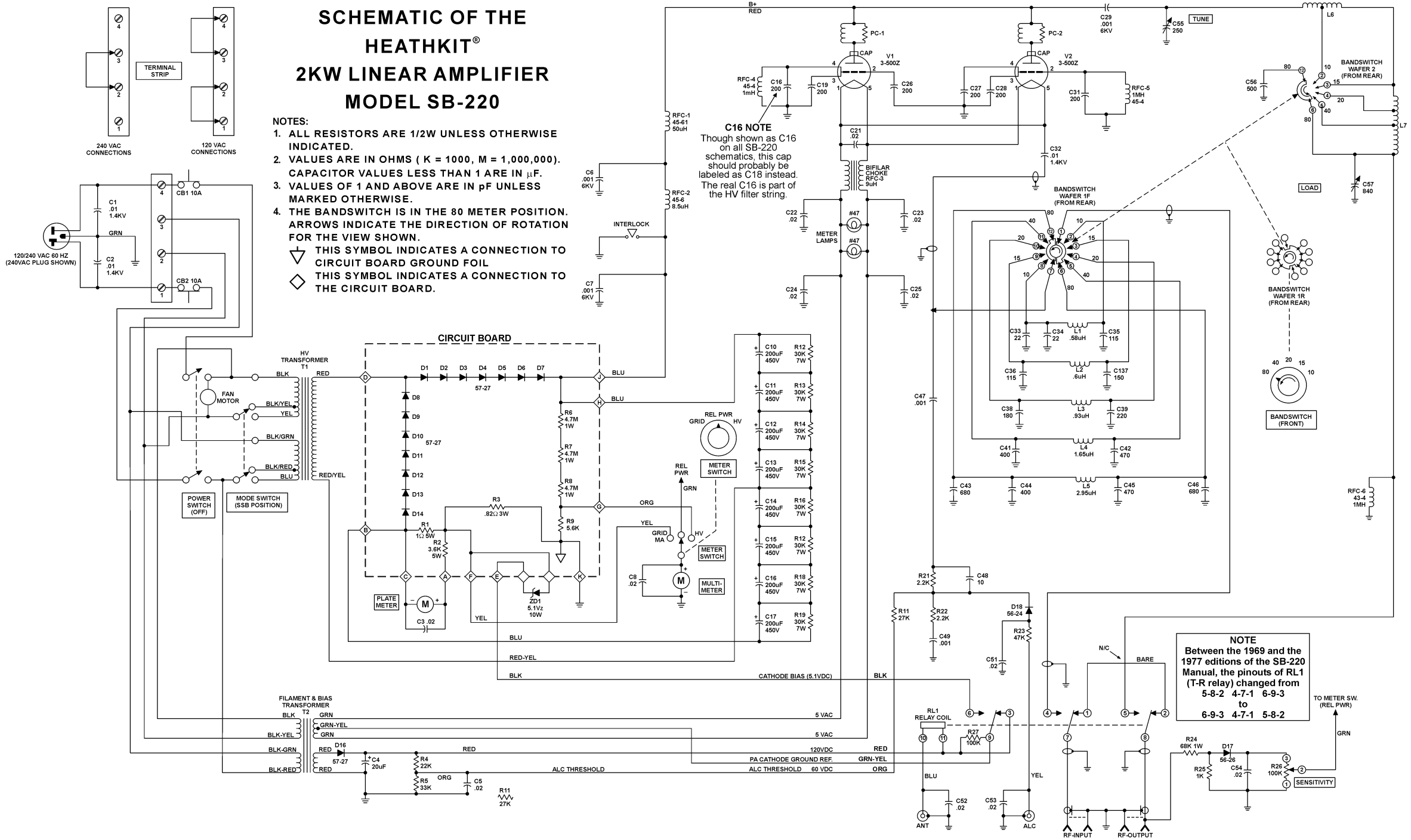


SCHEMATIC OF THE HEATHKIT® 2KW LINEAR AMPLIFIER MODEL SB-220

NOTES:

1. ALL RESISTORS ARE 1/2W UNLESS OTHERWISE INDICATED.
 2. VALUES ARE IN OHMS (K = 1000, M = 1,000,000).
 3. CAPACITOR VALUES LESS THAN 1 ARE IN μ F.
 3. VALUES OF 1 AND ABOVE ARE IN pF UNLESS MARKED OTHERWISE.
 4. THE BANDSWITCH IS IN THE 80 METER POSITION. ARROWS INDICATE THE DIRECTION OF ROTATION FOR THE VIEW SHOWN.
- THIS SYMBOL INDICATES A CONNECTION TO CIRCUIT BOARD GROUND FOIL
 THIS SYMBOL INDICATES A CONNECTION TO THE CIRCUIT BOARD.



SB-220 Schematic, redrawn by: Tom Hammond NØSS rev. 1.4 21OCT2006
 Please report errors to <n0ss@earthlink.net> so corrections can be made.
 In the e-mail address, above, the '0' is a ZERO, not an 'oh'.