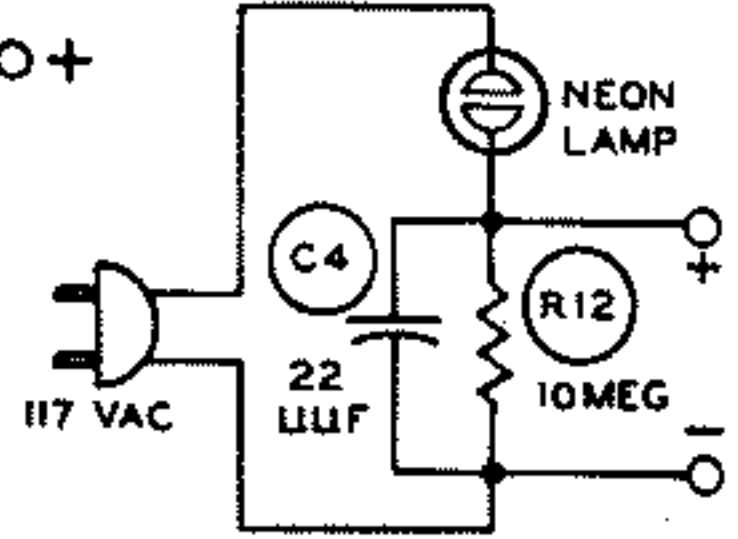


NOTES:
 **DEPENDS UPON INPUT VOLTAGE - 47 Ω - 6 VOLTS,
 150 Ω - 12 VOLTS.
 ○ ALL VOLTAGES MEASURED FROM - LINE WITH
 CALIBRATION OFF.
 VOLTAGES MEASURED WITH TACHOMETER
 CONNECTED TO 12 VOLT BATTERY.
 ALL CAPACITOR VALUES IN μ fd.
 ALL RESISTOR VALUES IN OHMS, K = 1,000.
 ALL RESISTORS 1/2 WATT UNLESS OTHERWISE SHOWN.
 *DEPENDS UPON CALIBRATION POINT.

**SCHEMATIC OF THE
 HEATHKIT®
 ELECTRONIC TACHOMETER
 MODEL MI-31A**



**CALIBRATION
 CIRCUIT**