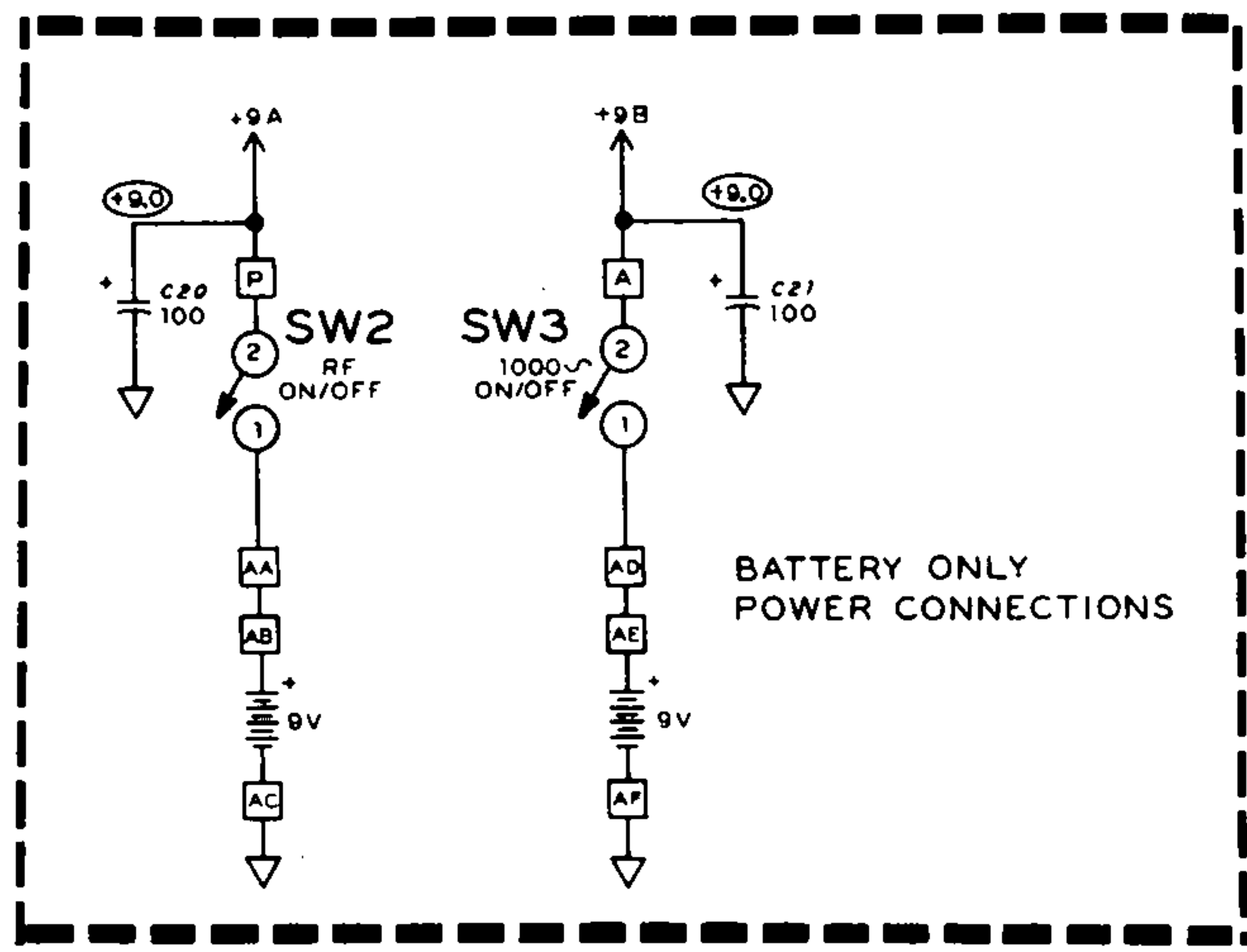


**SCHEMATIC OF THE  
HEATHKIT®  
RF OSCILLATOR  
MODEL IG-5280**



- NOTES:**
- RESISTORS ARE 1/2 WATT, 5%, UNLESS OTHERWISE NOTED.
  - RESISTOR VALUES ARE IN OHMS (K=1,000, M=1,000,000).
  - CAPACITOR VALUES ARE IN  $\mu$ F, UNLESS OTHERWISE NOTED.
  - $\nabla$  DENOTES CIRCUIT GROUND.
  - $\bigcirc$  DENOTES A DC VOLTAGE MEASURED FROM THE POINT INDICATED TO GROUND WITH THE FOLLOWING CONDITIONS
    - RANGE SWITCH (SW1) MAXIMUM COUNTERCLOCKWISE.
    - TUNING CAPACITOR (C12,C13) MAXIMUM COUNTERCLOCKWISE.
    - AF AMPLITUDE MAXIMUM COUNTERCLOCKWISE.
    - MEASUREMENTS MADE WITH A HIGH IMPEDANCE VOLTMETER.
  - $\square$  DENOTES A CIRCUIT BOARD CONNECTION.
  - $\bigcirc$  DENOTES OTHER CONNECTIONS.
  - SWITCHES ARE SHOWN IN CCW POSITION. "D" ON SWITCHES DENOTES DUMMY LUGS USED FOR ELECTRICAL TIE POINTS.
  - SW1,AR SHORTS ALL UNUSED COILS TO GROUND.

