

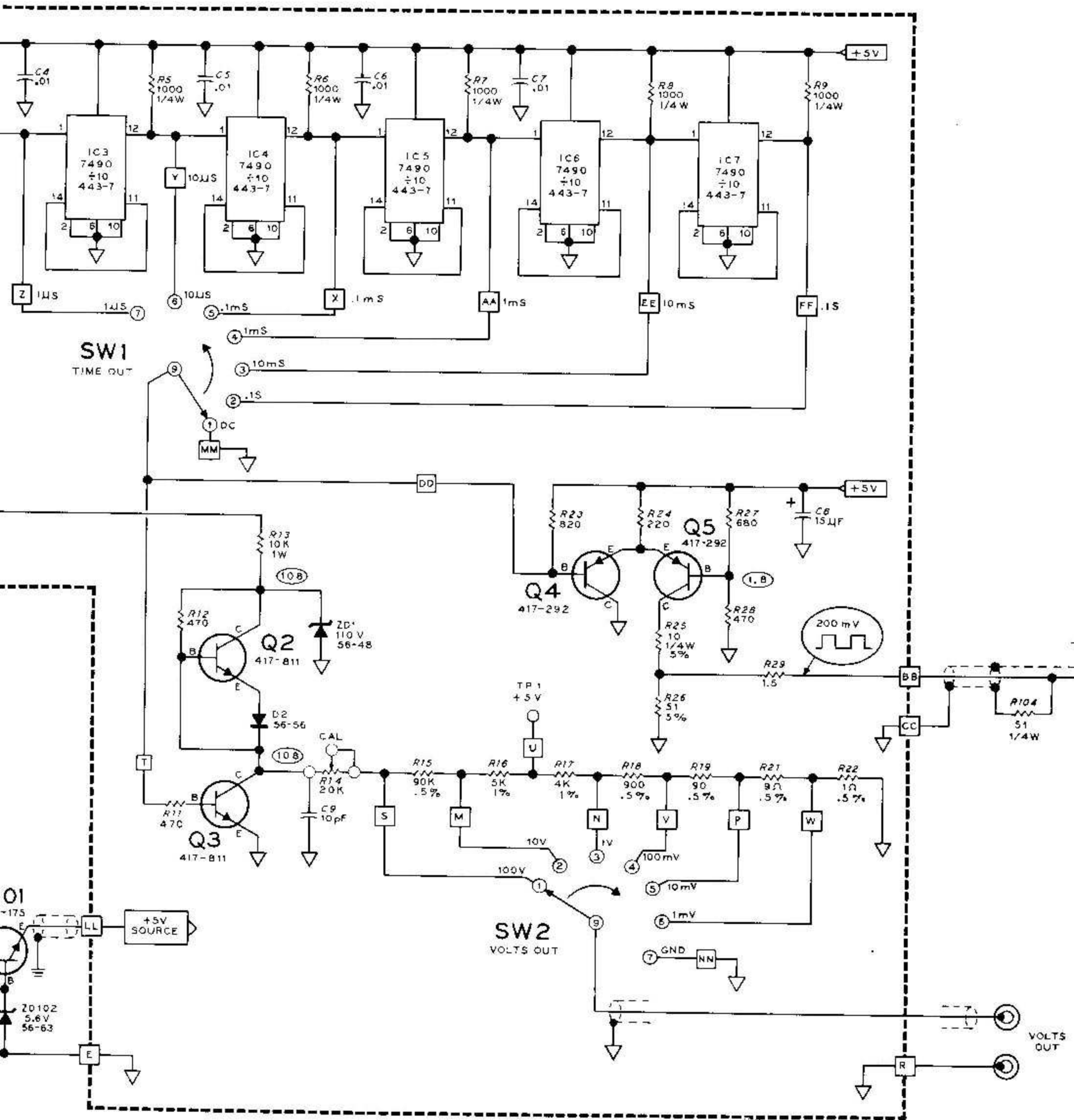
**SCHEMATIC OF THE
HEATHKIT®
OSCILLOSCOPE CALIBRATOR
MODEL IG-4505**

NOTES:

1. RESISTOR VALUES ARE IN OHMS (K=1000, M=1,000,000).
2. ALL CAPACITOR VALUES LARGER THAN 1.0 ARE IN pF UNLESS OTHERWISE SPECIFIED. CAPACITOR VALUES LESS THAN 1.0 ARE IN μF.
3. REFER TO THE CIRCUIT BOARD X-RAY VIEWS FOR THE PHYSICAL LOCATION OF PARTS:

4. CIRCUIT COMPONENT NUMBERS ARE IN GROUPS:

- I- 99 PARTS ON THE CIRCUIT BOARD.
- 101-199 PARTS ON THE CHASSIS.
- 5. INDICATES A LETTERED WIRE POINT ON THE CIRCUIT BOARD.
- 6. INDICATES CHASSIS GROUND.
- 7. INDICATES CIRCUIT BOARD GROUND.
- 8. INDICATE A DC VOLTAGE TEST POINT INDICATED TO GROUND.



NUMBERS ARE IN THE FOLLOWING

THE CIRCUIT BOARD.

THE CHASSIS.

A LETTERED WIRE CONNECTION
CIRCUIT BOARD.

CHASSIS GROUND.

CIRCUIT BOARD GROUND.

DC VOLTAGE TAKEN FROM THE
CATED TO GROUND.