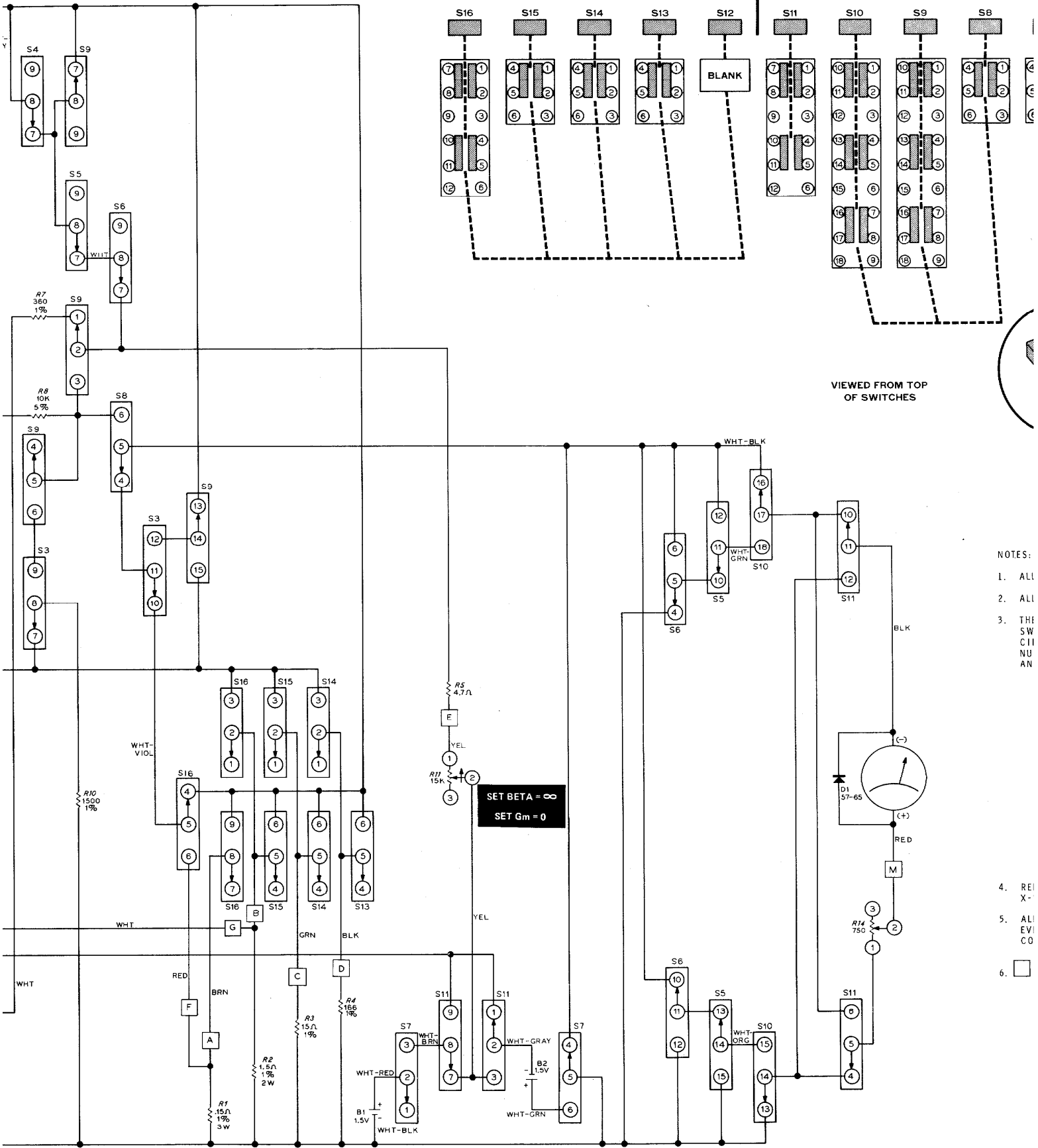
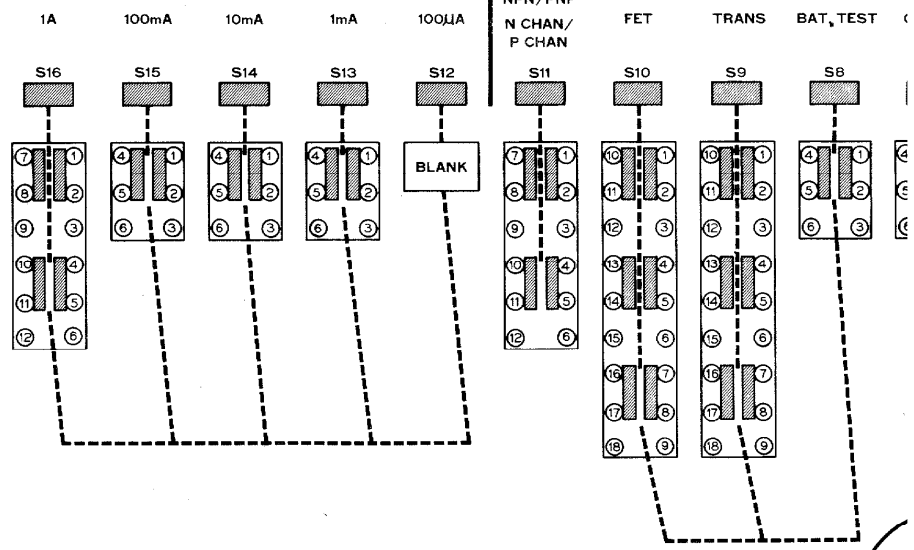


RANGE

MODE



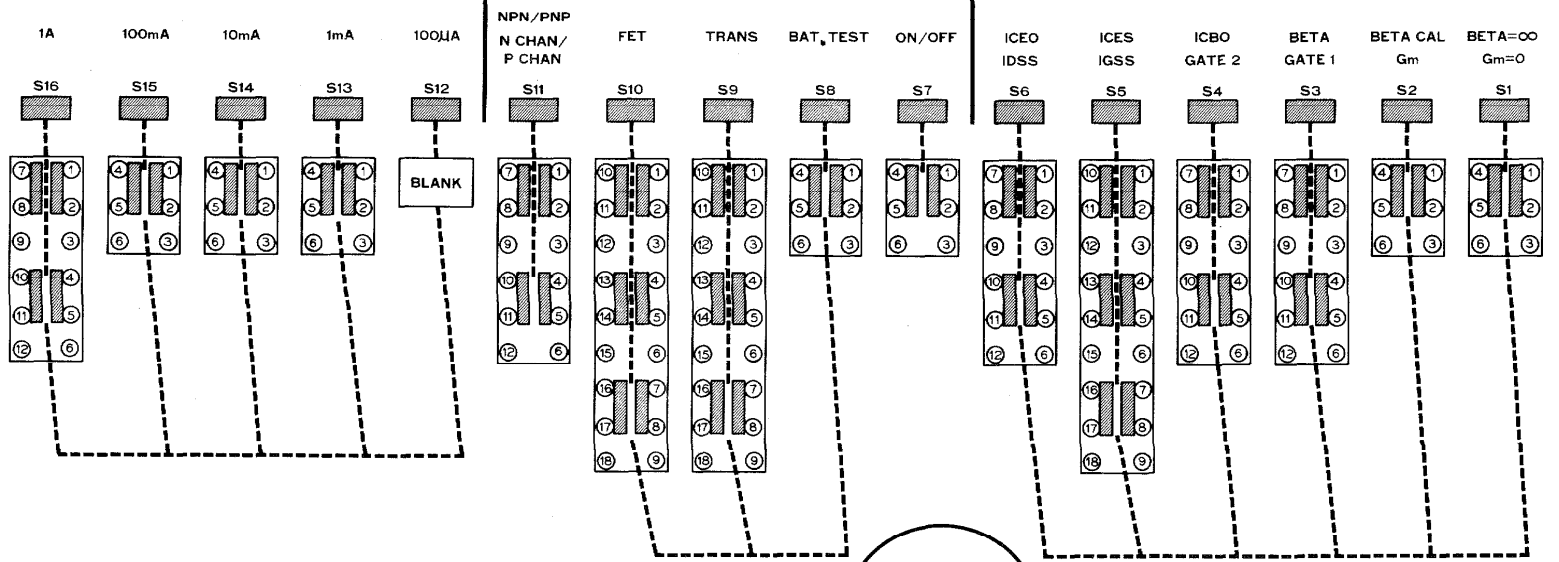
NOTES:

1. ALL
2. ALL
3. THE SW CH1 NUM AN
4. REI X-
5. ALL EVI CO
6. □

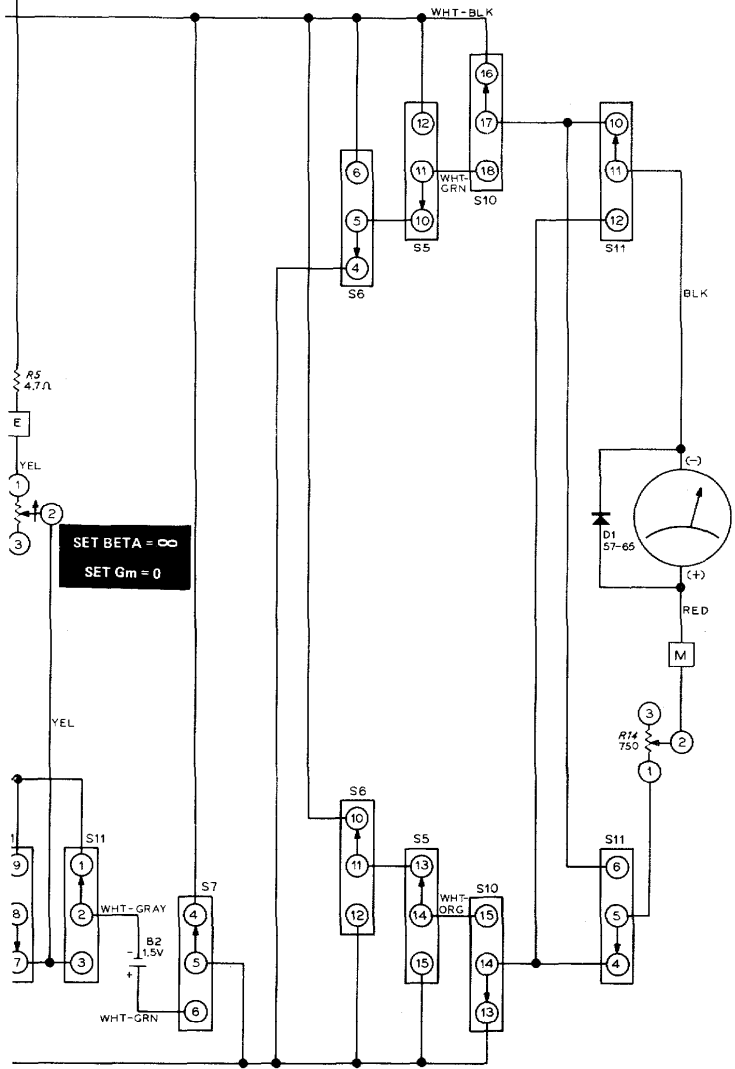
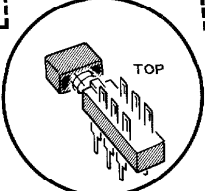
RANGE

MODE

FUNCTION



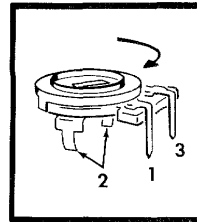
VIEWED FROM TOP OF SWITCHES



SCHEMATIC OF THE HEATHKIT® FET/TRANSISTOR TESTER MODEL IT-121

NOTES:

1. ALL RESISTORS ARE 1/2 WATT 5% UNLESS OTHERWISE SPECIFIED.
2. ALL CAPACITOR VALUES ARE IN μ F.
3. THE ARROW INDICATES CLOCKWISE ROTATION OF A CONTROL OR SWITCH, AS VIEWED FROM THE KNOB END OR AS SHOWN FOR CIRCUIT BOARD CONTROLS. THE CIRCUIT BOARD CONTROL LUG NUMBERS CORRESPOND TO THOSE SHOWN ON THE SCHEMATIC AND X-RAY VIEWS.



4. REFER TO THE CHASSIS PHOTOGRAPH AND CIRCUIT BOARD X-RAY VIEW FOR THE PHYSICAL LOCATION OF PARTS
5. ALL SWITCHES ARE SHOWN IN THE RELEASED (OUT) POSITION EVEN THOUGH THEY DO NOT REPRESENT A SPECIFIC OPERATING CONFIGURATION.
6. THIS SYMBOL INDICATES A LETTERED CIRCUIT BOARD CONNECTION.

