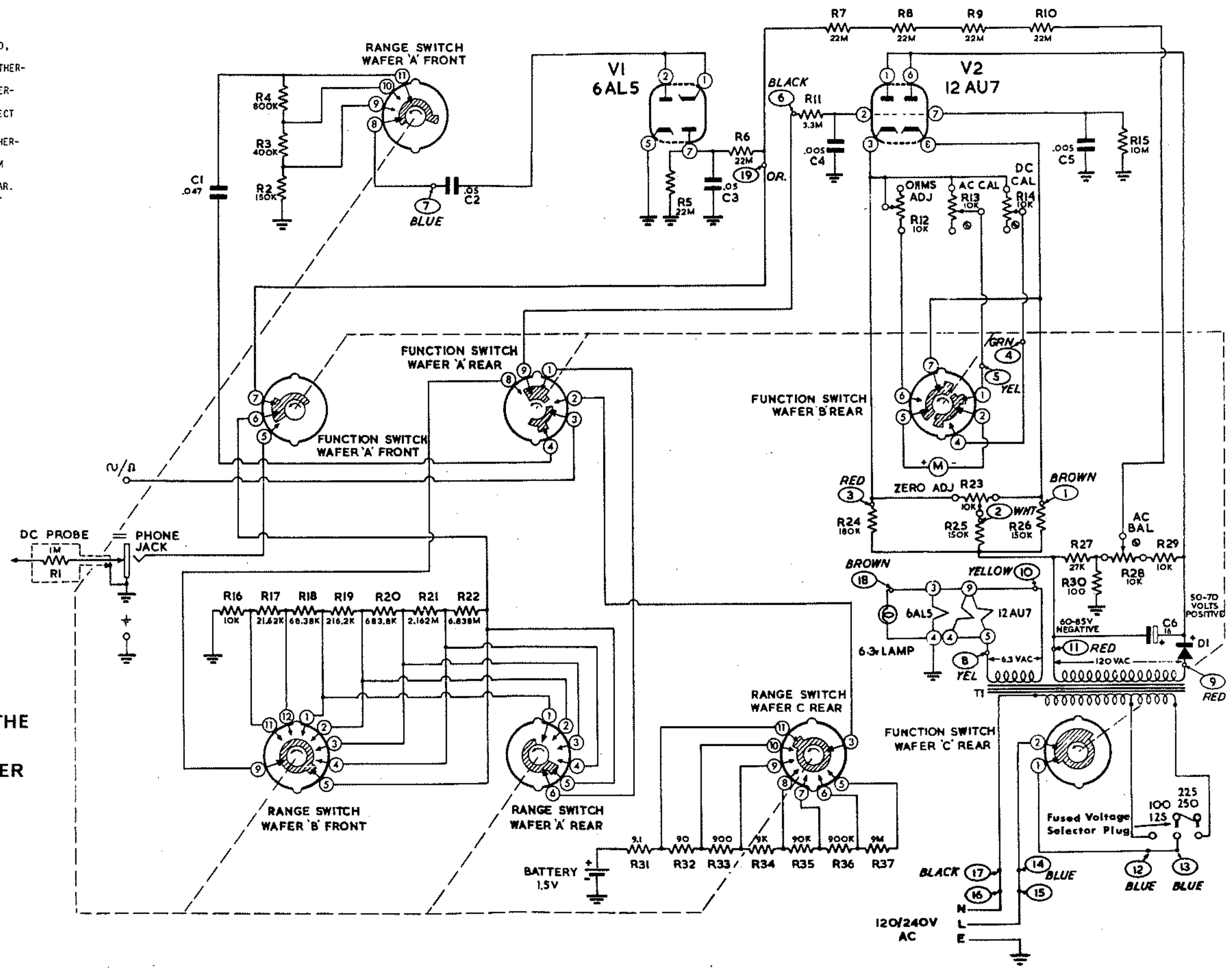


NOTES
 ALL RESISTANCES IN OHMS K = 1000,
 MEG = 1,000,000.
 ALL RESISTORS 1/2 WATT UNLESS OTHER-
 WISE SPECIFIED.
 ALL CAPACITORS IN μ F UNLESS OTHER-
 WISE SPECIFIED.
 ALL VOLTAGES MEASURED WITH RESPECT
 TO CHASSIS GROUND.
 ALL VOLTAGES POSITIVE UNLESS OTHER-
 WISE SPECIFIED.
 VOLTAGES TAKEN WITH AN 11 MEGOHM
 VVM.
 ALL SWITCHES VIEWED FROM THE REAR.
 RANGE SWITCH IN MAXIMUM COUNTER-
 CLOCKWISE POSITION.
 FUNCTION SWITCH IN AC POSITION.
 FIGURES RINGED THUS: $\text{\textcircled{0}}$
 ARE CONNECTIONS
 TO CIRCUIT BOARD.



**SCHEMATIC OF THE
 HEATHKIT
 VALVE VOLTMETER
 MODEL IM-28U**