

Assembly
and
Operation
of the



**ELECTRONIC
SLIDE RULE**
MODEL IC-2100

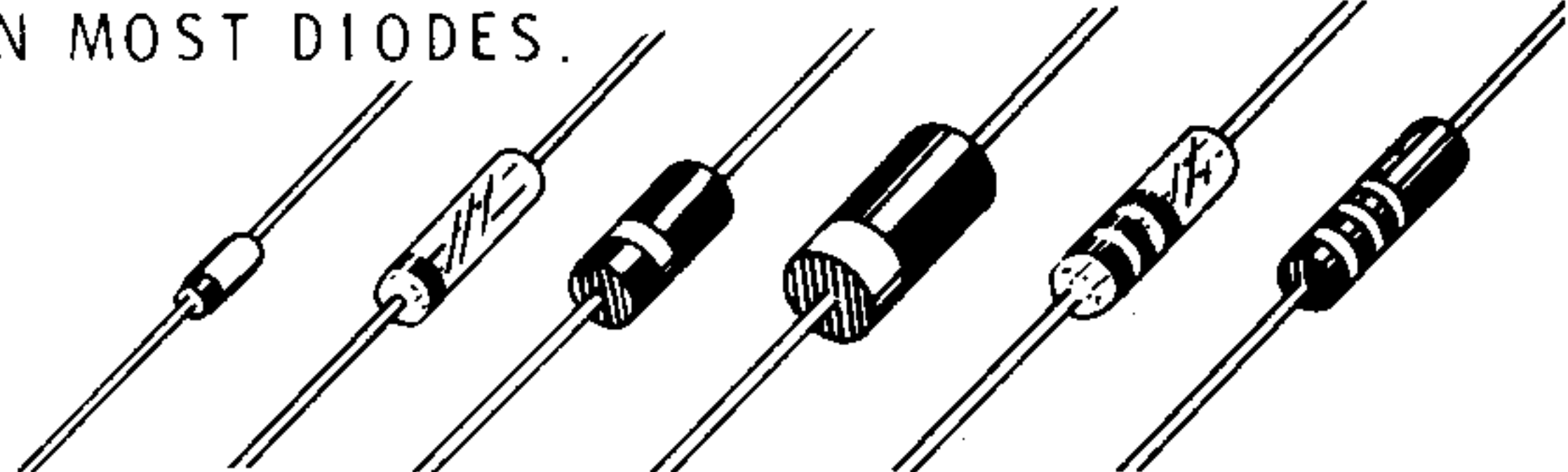
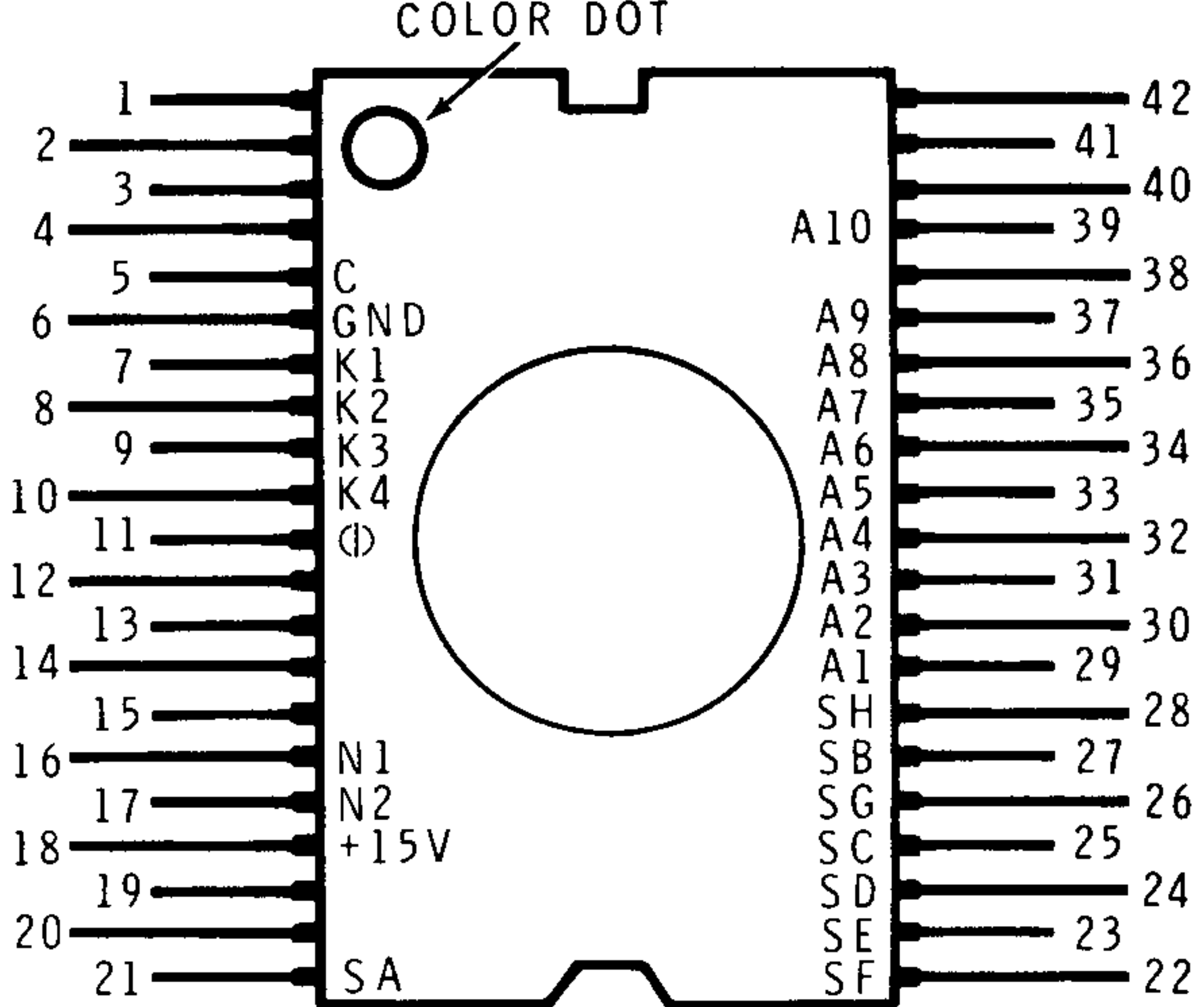


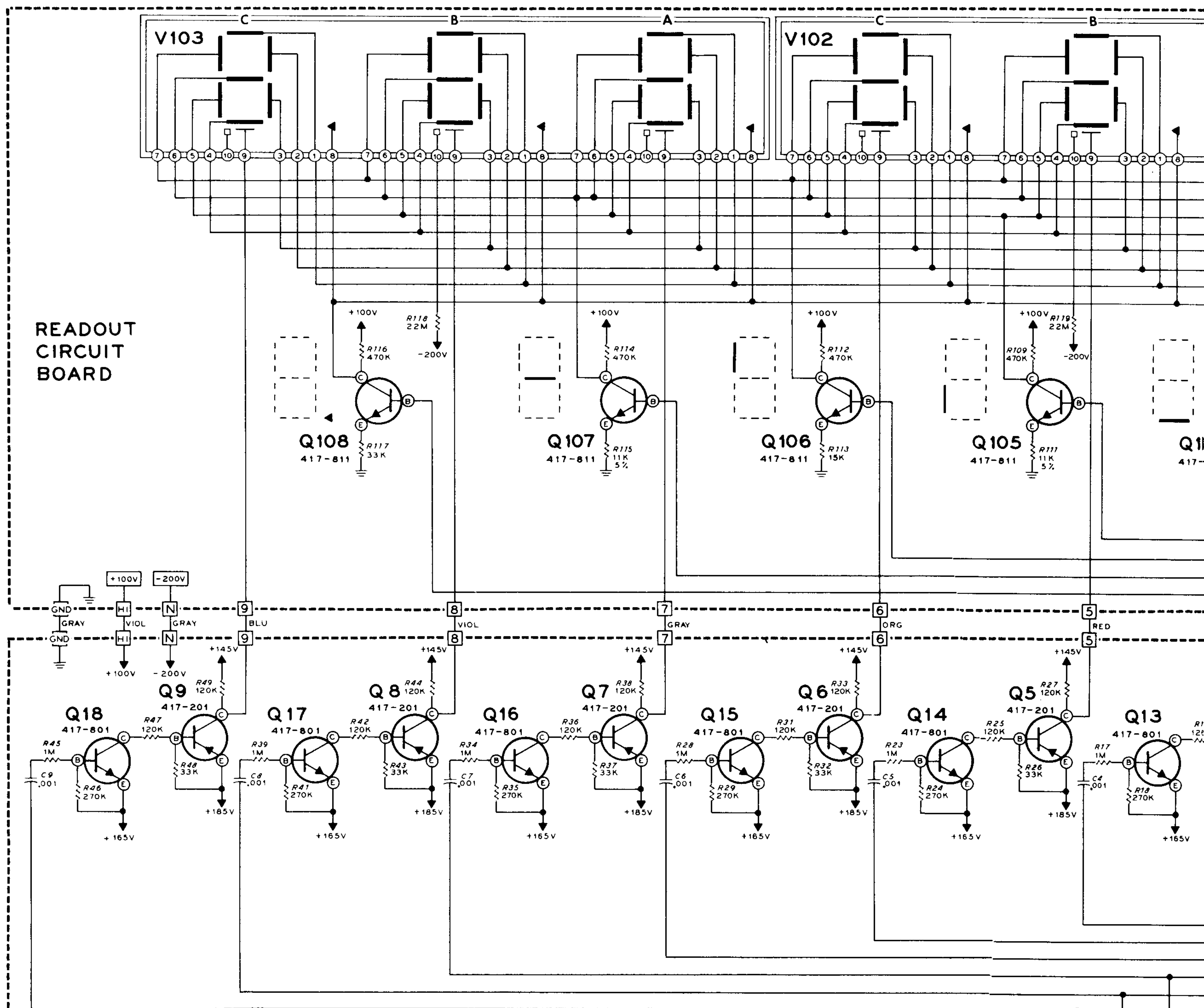
TABLE OF CONTENTS

Introduction	2
Parts List	3
Step-by-Step Assembly	9
Initial Tests	33
Final Assembly	38
Operation	40
In Case of Difficulty	52
Troubleshooting Chart	53
Specifications	55
Circuit Fundamentals	56
Circuit Board X-Ray Views	58
Circuit Board Voltage Chart	62
Schematic. . . (fold-out from page)	65
Warranty	Inside front cover
Customer Service	Inside rear cover

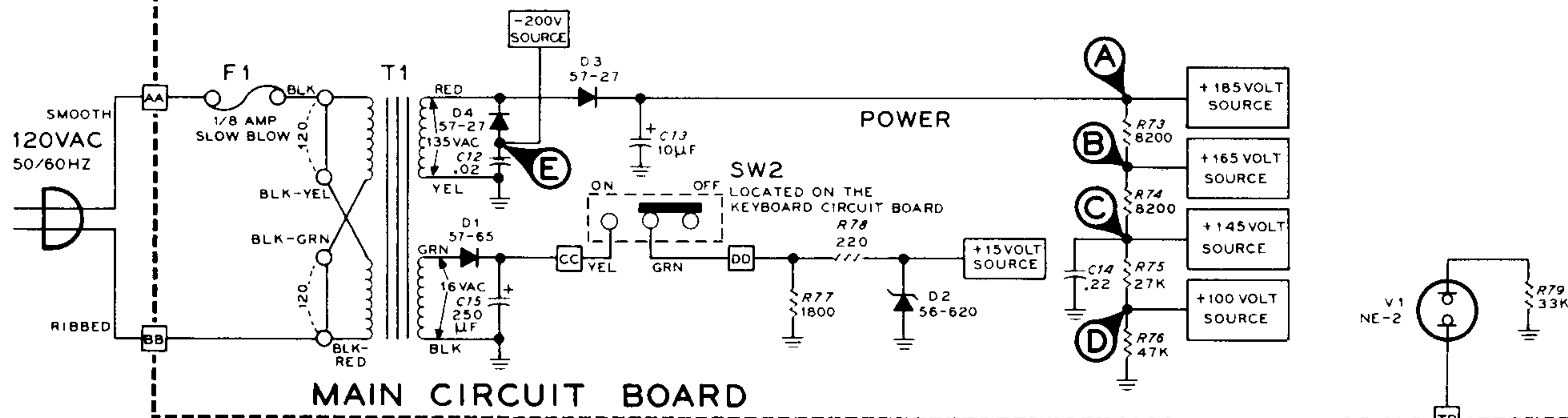
Semiconductor Identification Charts

COMPONENT	HEATH PART NUMBER	MAY BE REPLACED WITH	IDENTIFICATION																						
V101, V102, V103	411-290	SPERRY RAND SP-353	<div style="text-align: center;"> <p>SEGMENTS VIEWED FROM FRONT</p> </div> <div style="text-align: center; margin-top: 10px;"> <p>PINS VIEWED FROM BACK</p> </div> <p style="text-align: center; margin-top: 10px;">NOTE: A10 AND C10 NOT USED.</p> <table border="1" style="margin-left: auto; margin-right: auto; border-collapse: collapse;"> <thead> <tr> <th style="text-align: left;">SEGMENT</th> <th style="text-align: left;">PIN NUMBER</th> </tr> </thead> <tbody> <tr><td>a</td><td>1</td></tr> <tr><td>b</td><td>2</td></tr> <tr><td>c</td><td>3</td></tr> <tr><td>d</td><td>4</td></tr> <tr><td>e</td><td>5</td></tr> <tr><td>f</td><td>6</td></tr> <tr><td>g</td><td>7</td></tr> <tr><td>DECIMAL</td><td>8</td></tr> <tr><td>ANODE</td><td>9</td></tr> <tr><td>"KEEP ALIVE"</td><td>10</td></tr> </tbody> </table>	SEGMENT	PIN NUMBER	a	1	b	2	c	3	d	4	e	5	f	6	g	7	DECIMAL	8	ANODE	9	"KEEP ALIVE"	10
SEGMENT	PIN NUMBER																								
a	1																								
b	2																								
c	3																								
d	4																								
e	5																								
f	6																								
g	7																								
DECIMAL	8																								
ANODE	9																								
"KEEP ALIVE"	10																								
Q101-Q108	417-811	MPS-L01																							
Q10-Q18	417-801	MPS-A20																							
Q1-Q9	417-201	X29A829	<p style="text-align: center;">OR</p>																						

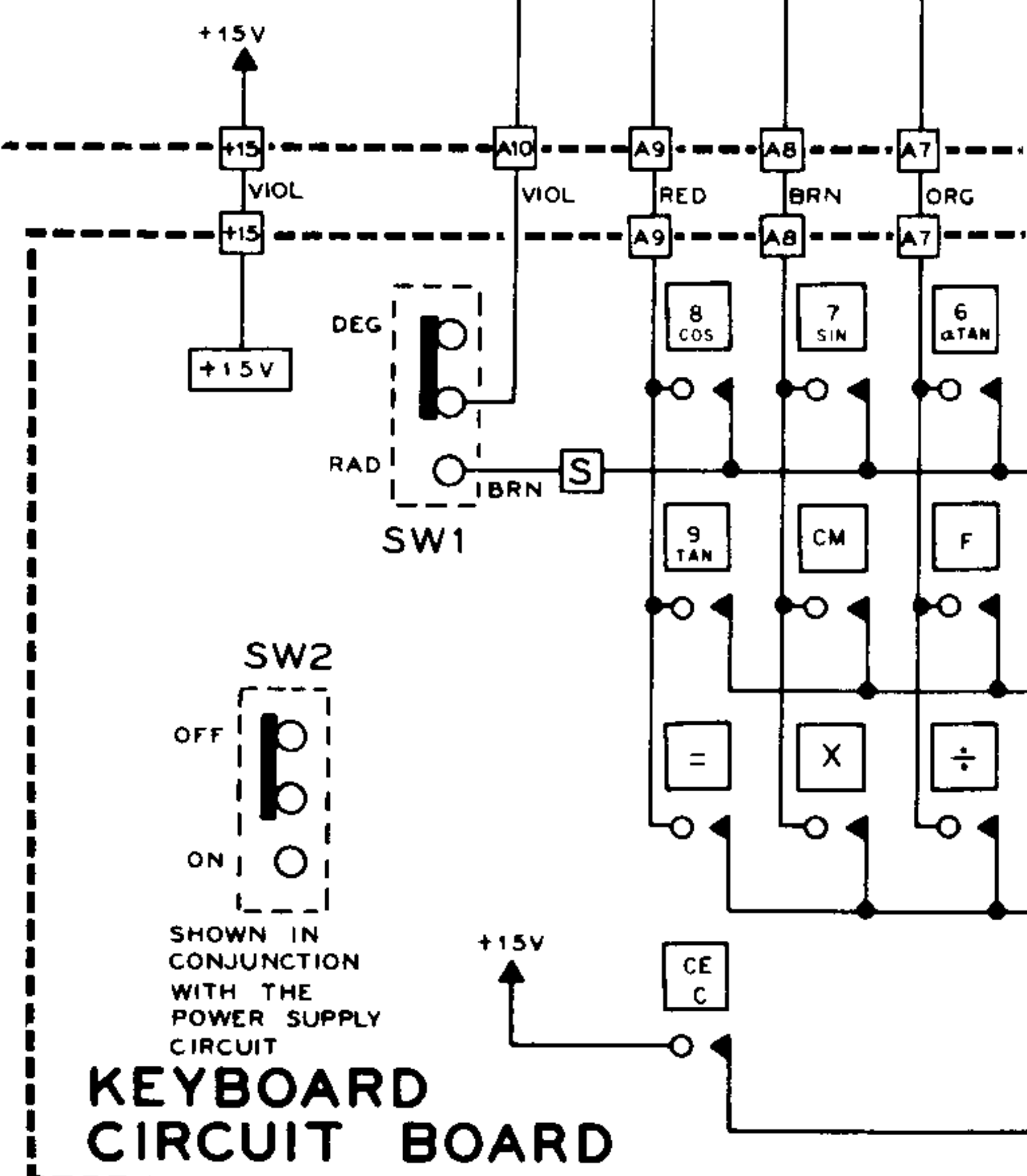
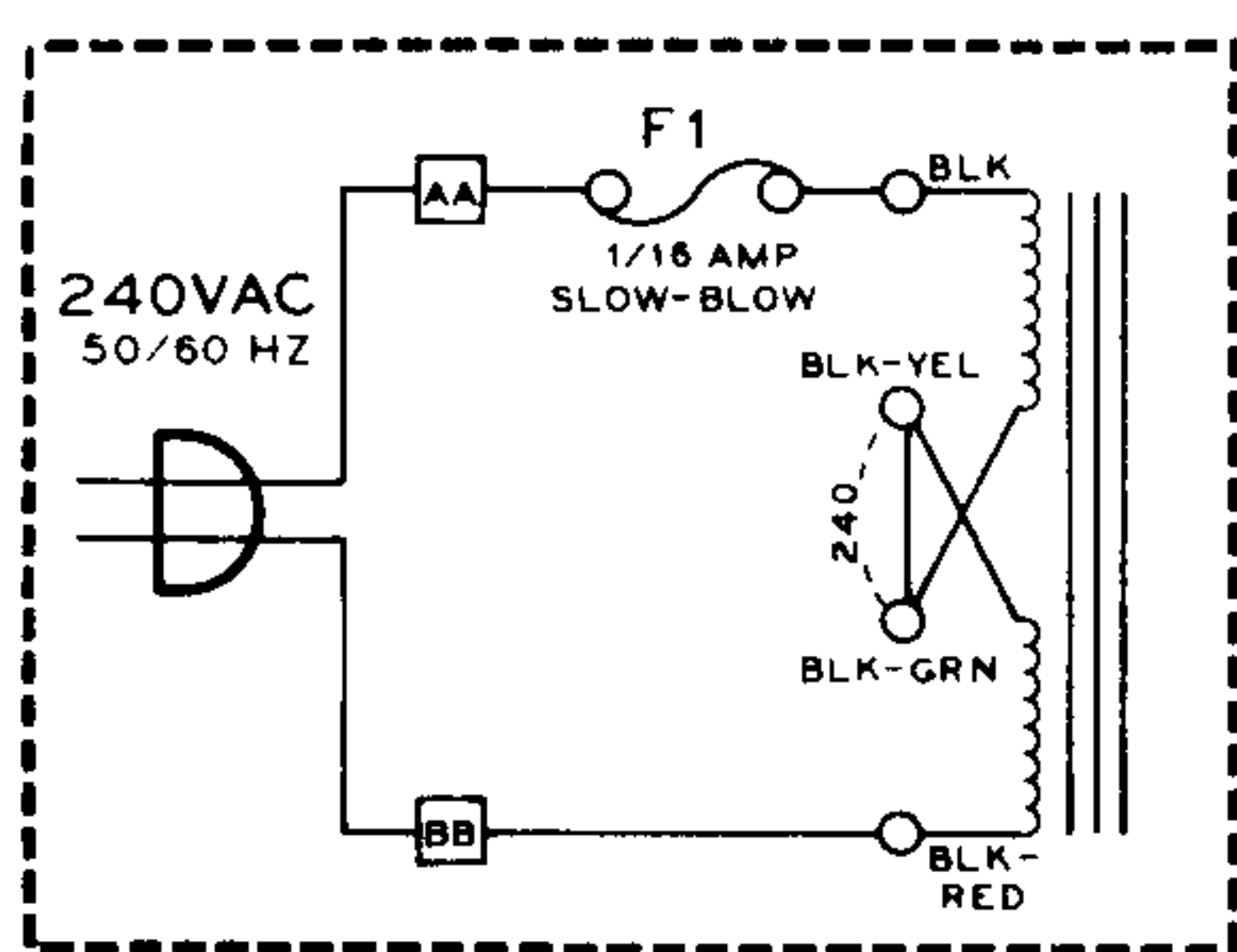
COMPONENT	HEATH PART NUMBER	MAY BE REPLACED WITH	IDENTIFICATION
D1, D5	57-65	1N4002 SILICON DIODE, 1A, 100V.	<p data-bbox="1514 649 2425 734">NOTE: HEATH PART NUMBERS ARE STAMPED ON MOST DIODES.</p> 
D2	56-620	1N4744A ZENER DIODE 15 VOLT, ±5%	
D3, D4,	57-27	1N2071 SILICON DIODE, 1A, 600V.	
IC1	100-1658	A4001	 <p data-bbox="1764 989 1999 1021">COLOR DOT</p> <p data-bbox="1822 1819 2058 1851">TOP VIEW</p>



READOUT
CIRCUIT
BOARD



MAIN CIRCUIT BOARD

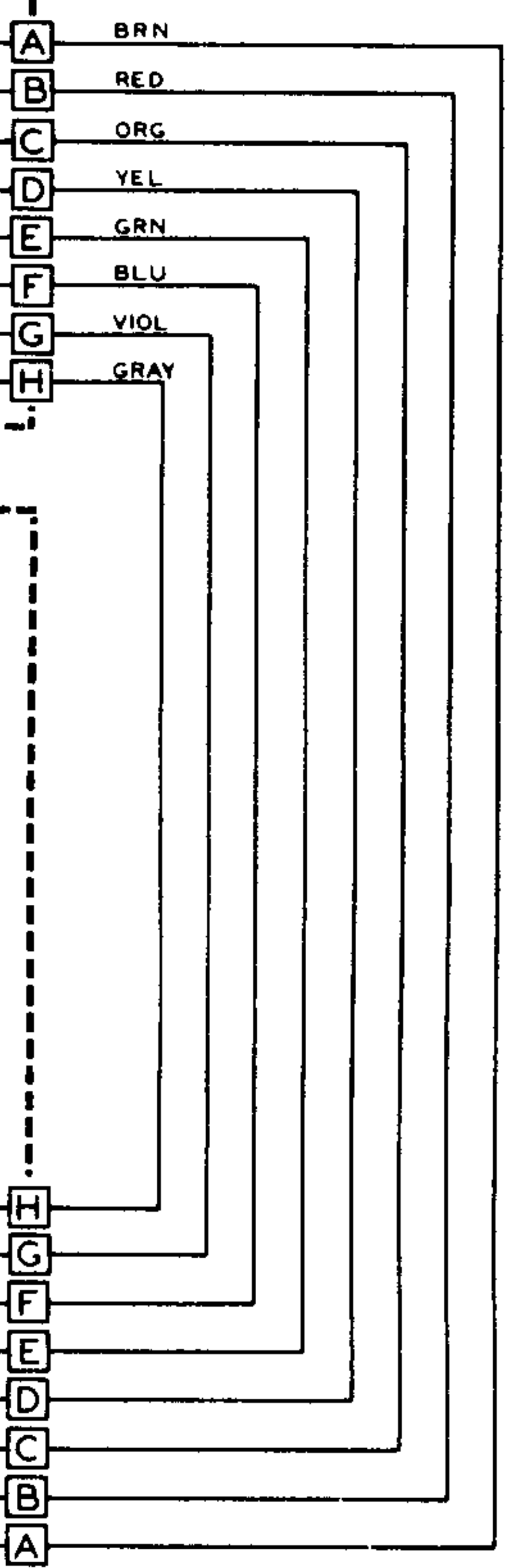
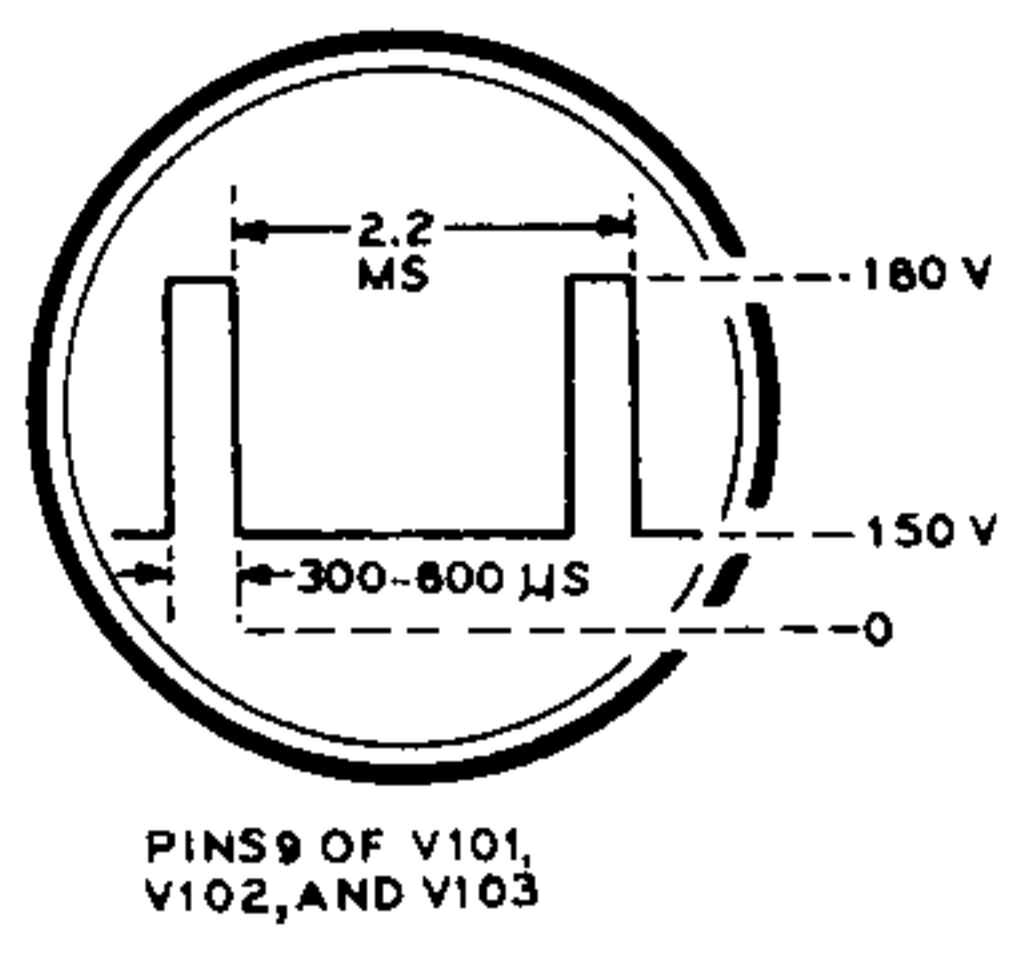
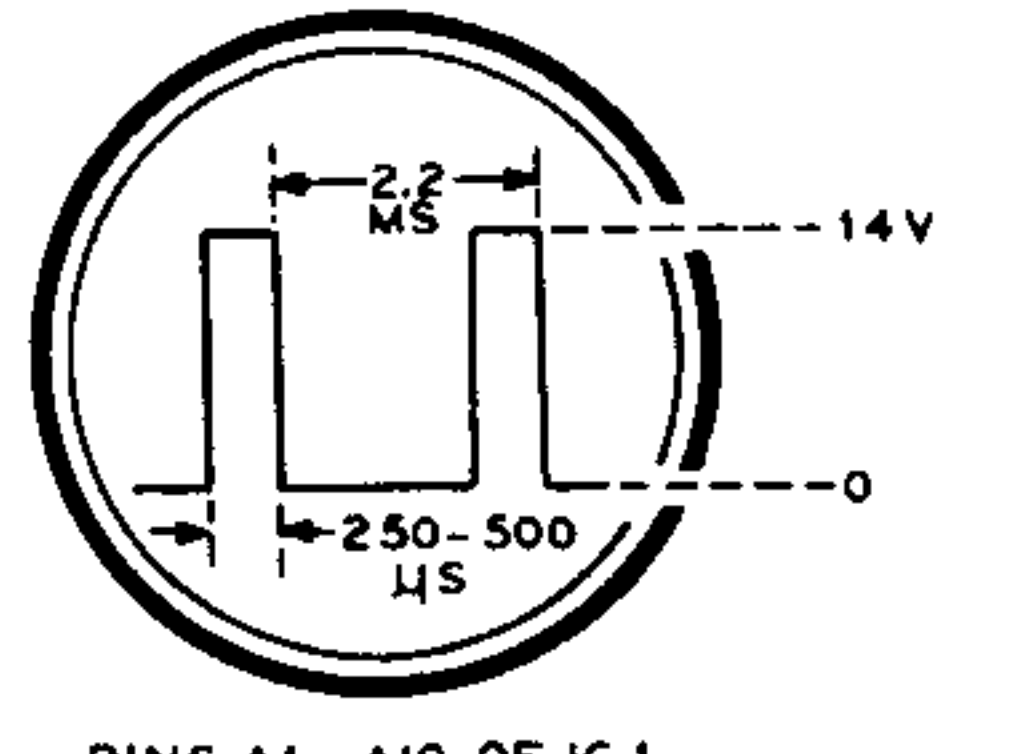
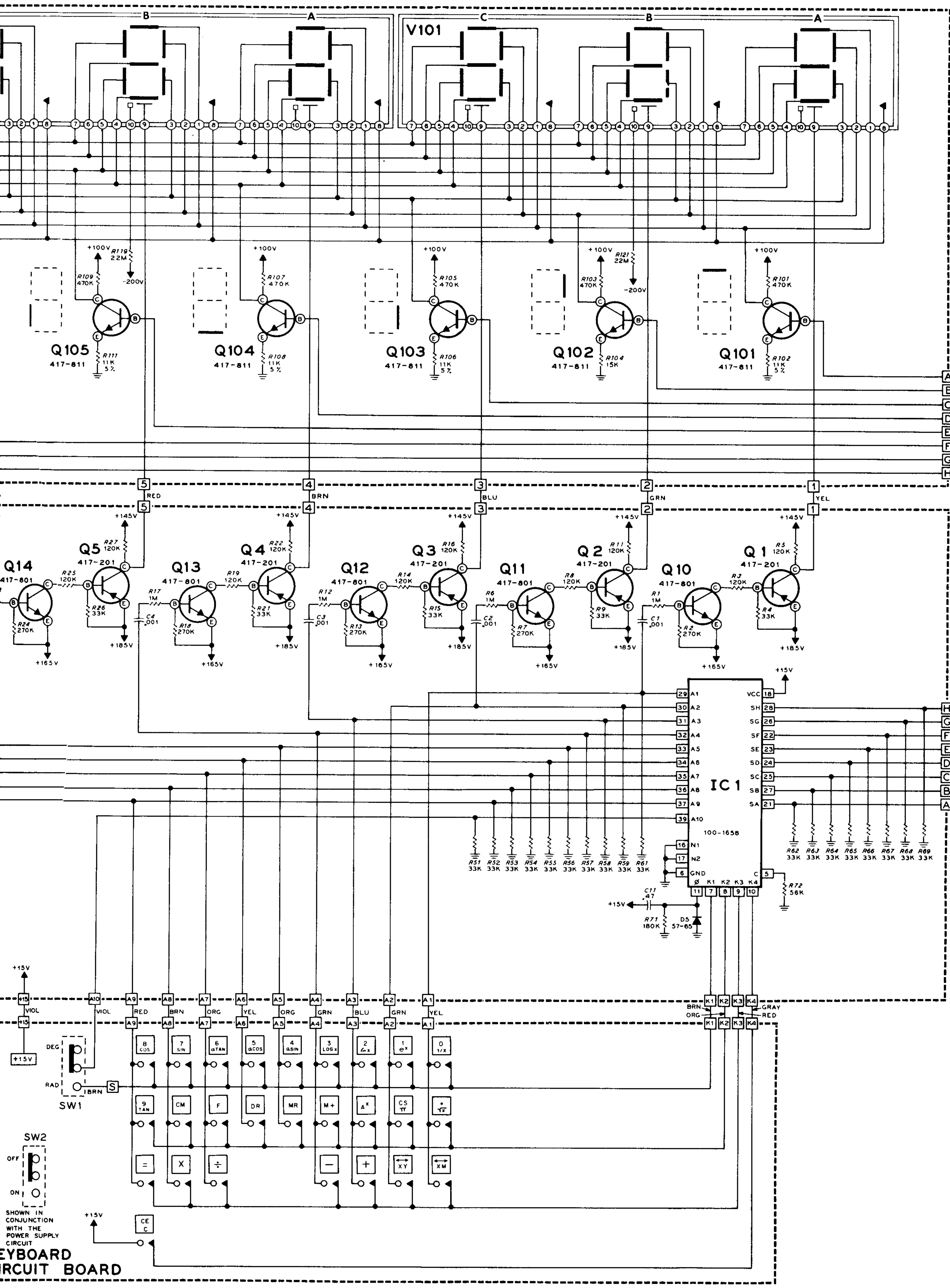


KEYBOARD
CIRCUIT BOARD

SCHMATIC OF THE
HEATHKIT[®]
ELECTRONIC SLIDE RULE
MODEL IC-2100

NOTES:

1. ALL RESISTORS ARE 1/2 WATT, 10%, UNLESS MARKED OTHERWISE. RESISTOR VALUES ARE IN OHMS (K=1000; M=1,000,000).
2. ALL CAPACITOR VALUES LESS THAN 1 ARE IN μ F. CAPACITOR VALUES LARGER THAN 1 ARE IN μ F UNLESS OTHERWISE INDICATED.
3. REFER TO THE X-RAY VIEWS FOR THE PHYSICAL LOCATION OF PARTS.
4. THIS SYMBOL INDICATES A LETTERED CIRCUIT BOARD CONNECTION.
5. THIS SYMBOL INDICATES CIRCUIT GROUND.
6. +15V THIS SYMBOL INDICATES A CONNECTION TO THE POWER SUPPLY OF THE VOLTAGE INDICATED.



KEYBOARD CIRCUIT BOARD

SHOWN IN CONJUNCTION WITH THE POWER SUPPLY CIRCUIT