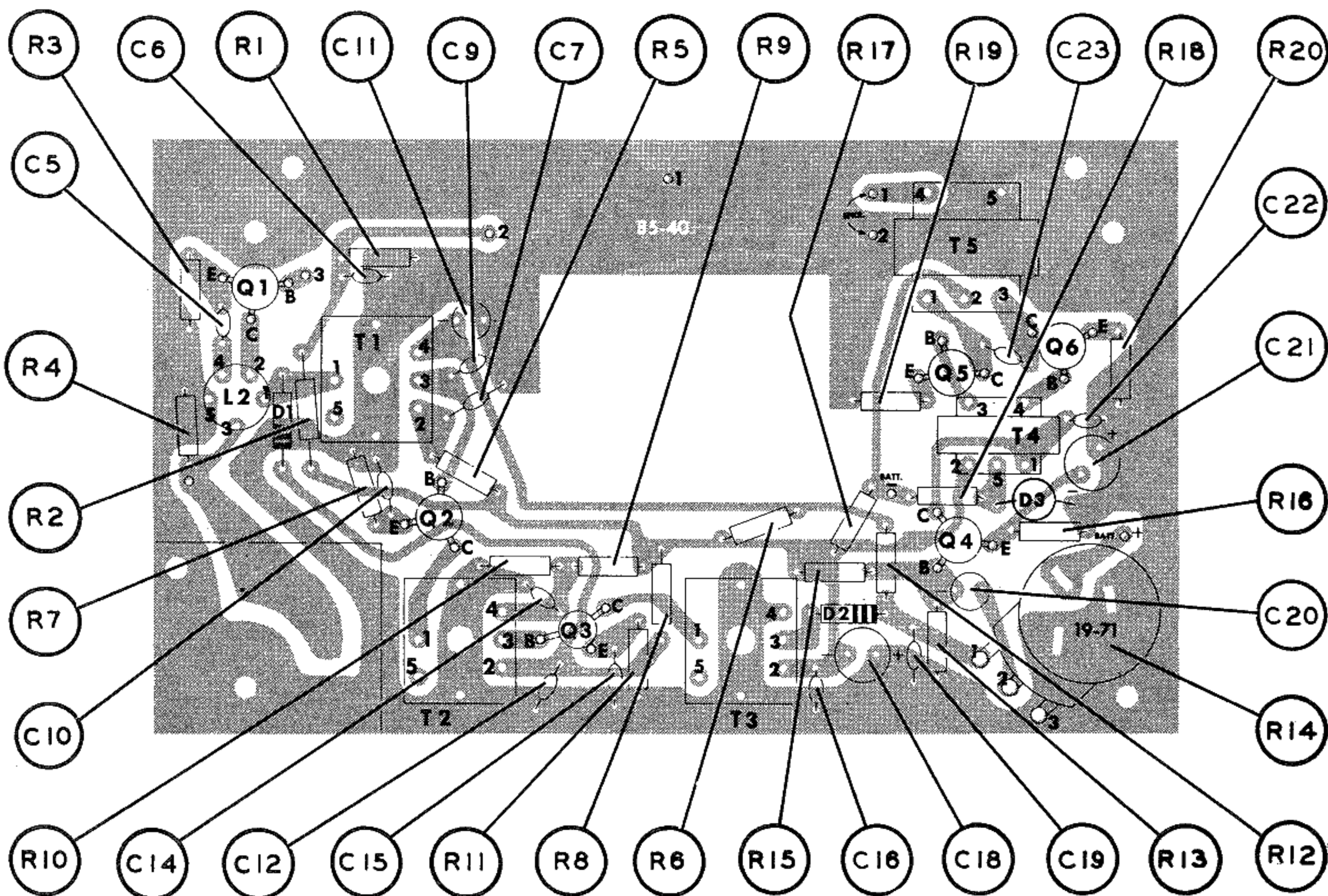
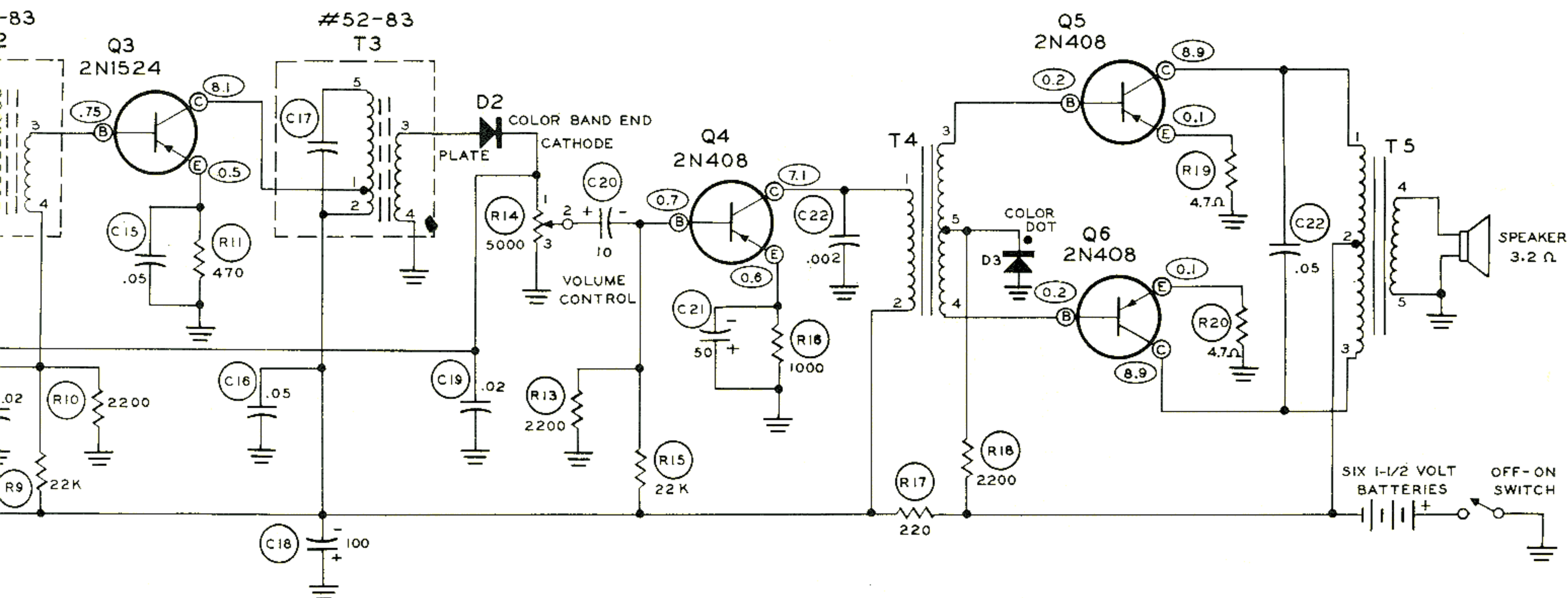


SCHEMATIC OF THE
HEATHKIT
PORTABLE TRANSISTOR
RADIO
MODEL GR-151B





**SCHEMATIC OF THE
HEATHKIT
PORTABLE TRANSISTOR
RADIO
MODEL GR-151B**

ALL RESISTOR VALUES ARE IN Ω ; K = 1000 Ω .
 ALL RESISTORS ARE 1/2 WATT.
 ALL CAPACITORS ARE IN μ fd.
 ○ INDICATES NEGATIVE DC VOLTAGE MEASUREMENT
 FROM POINT MARKED TO POSITIVE (+) BATTERY TERMINAL.
 ALL VOLTAGES ARE MEASURED WITH AN 11 MEGOHM
 IMPEDANCE VTVM, WITH NO SIGNAL.

- R20
- C22
- C21
- R16
- C20
- R14
- R12