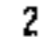


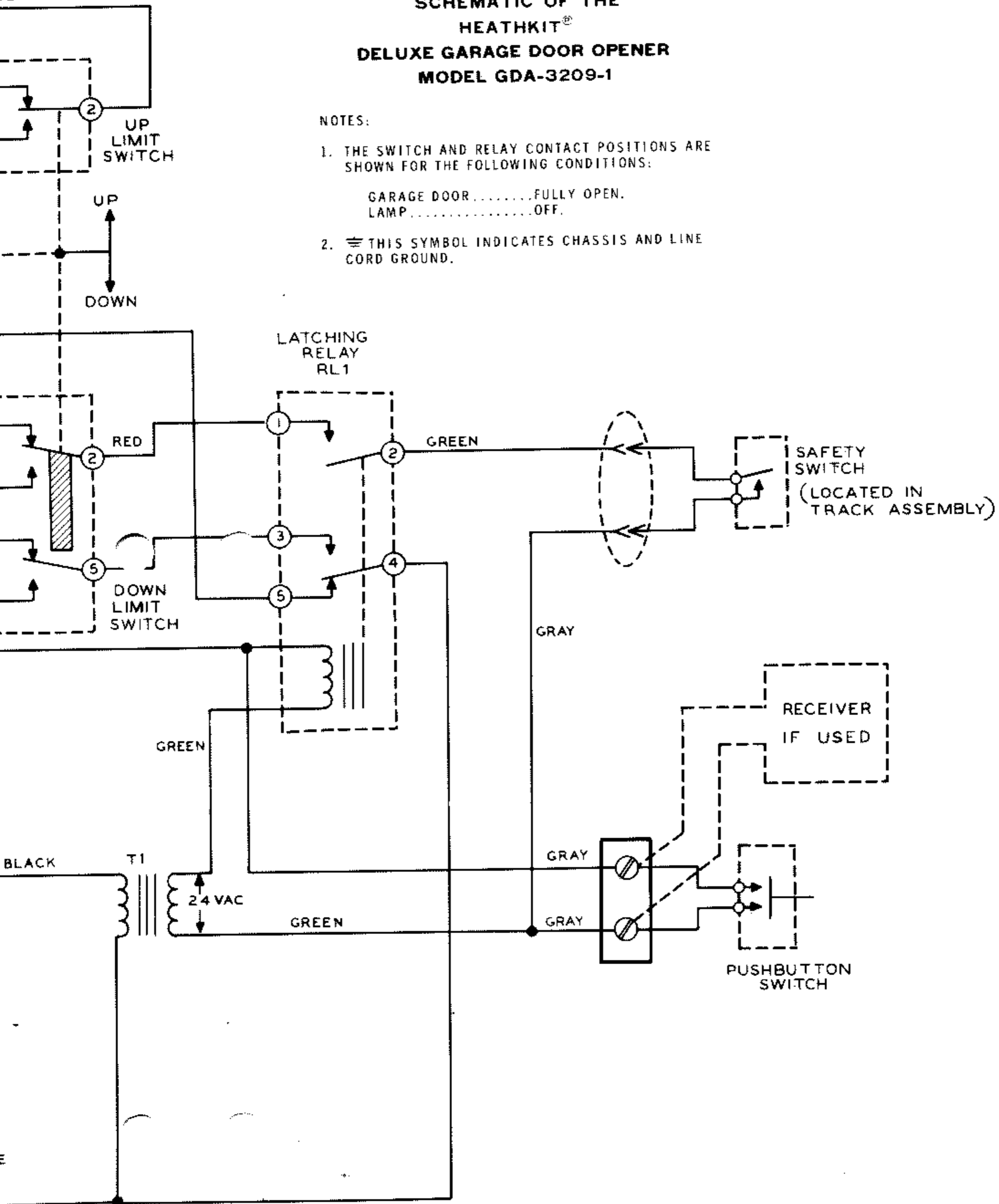
**SCHEMATIC OF THE  
HEATHKIT®  
DELUXE GARAGE DOOR OPENER  
MODEL GDA-3209-1**

**NOTES:**

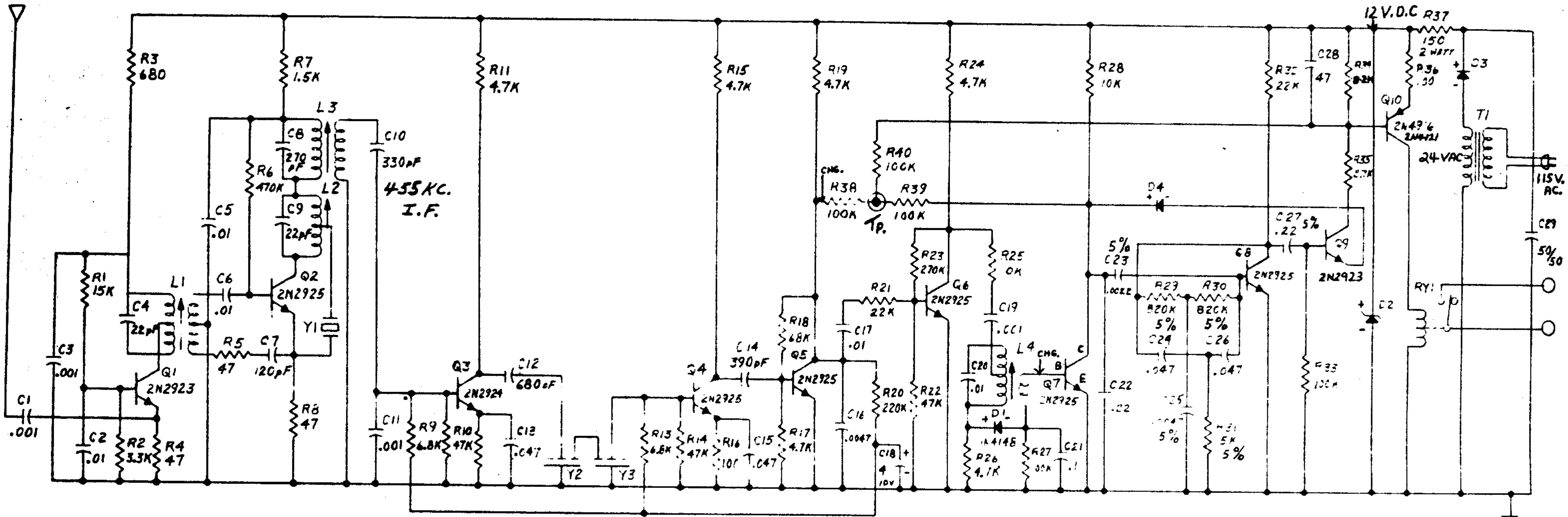
1. THE SWITCH AND RELAY CONTACT POSITIONS ARE SHOWN FOR THE FOLLOWING CONDITIONS:

GARAGE DOOR.....FULLY OPEN.  
LAMP.....OFF.

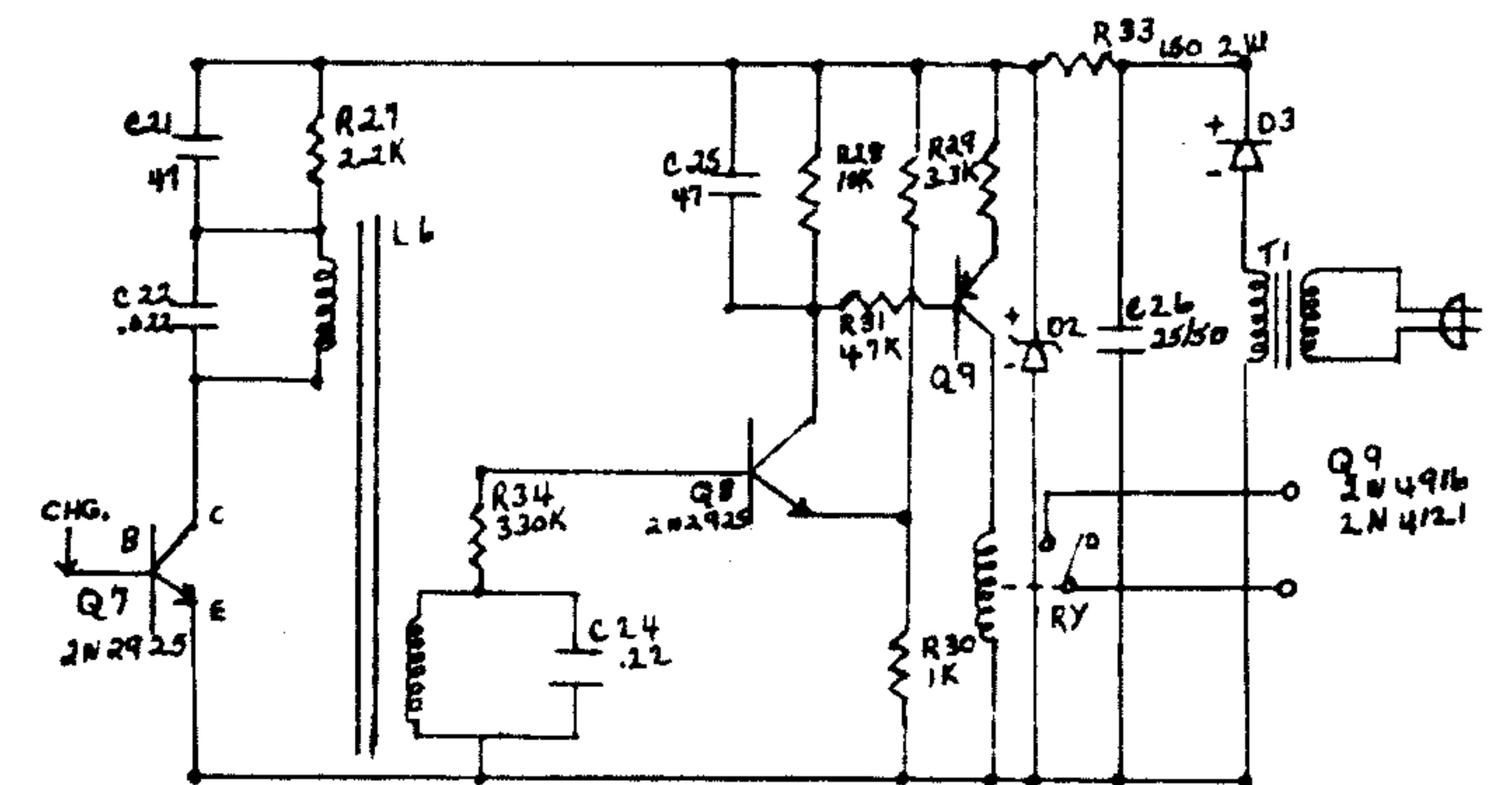
2.  THIS SYMBOL INDICATES CHASSIS AND LINE CORD GROUND.



# GDA-3209-1 RX



ALL RESISTORS IN OHMS  $\frac{1}{2}$  WATT 10% UNLESS OTHERWISE STATED.  
 ALL CAPACITORS IN  $\mu$ F UNLESS OTHERWISE STATED.



MULTI-ELMAC CO.  
 SYDNEY AVE. WINDSOR ONT.

## RS-5 SCHEMATIC

MODEL \_\_\_\_\_ SCALE \_\_\_\_\_ NO. \_\_\_\_\_  
 DRAWN *X Muller* DATE 11-5-68  
 APPROVED \_\_\_\_\_ DATE \_\_\_\_\_  
 DATE \_\_\_\_\_ REVISION \_\_\_\_\_ BY \_\_\_\_\_

## Frequency Channels

Each Transmitter and its companion Receiver will be factory-adjusted to one combination of the following channels:

<u>RF Carrier</u>	<u>AF Sub-carrier</u>	<u>Sub-carrier Mod.</u>
26.995 MHz (A)	7 KHz	30 Hz
27.045 MHz (B)	8 KHz	
27.095 MHz (C) ✓	9 KHz	
27.145 MHz (E) ✓	10 KHz	
27.195 MHz (F) ✓		
27.255 MHz (G)		

For identification purposes, both the Transmitter and the Receiver are marked with a one letter - one digit code indicating the RF carrier frequency and the AF sub-carrier frequency to which the unit is factory adjusted. The letter indicates the RF carrier frequency in accordance with the above table, the digit indicates the AF sub-carrier frequency in KHz. For example, the designation "C9" indicates that the unit is set for 27.095 MHz and 9 KHz.

HS-5

6-15-67

