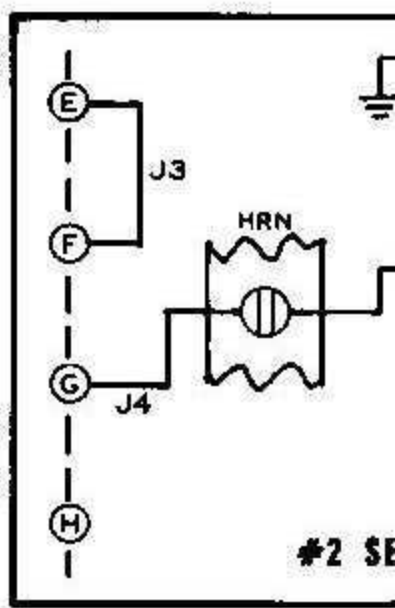
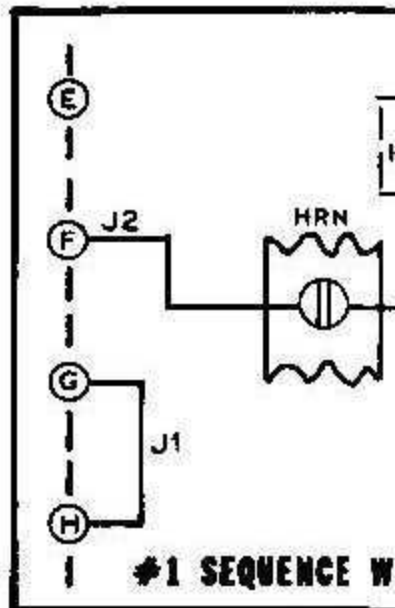


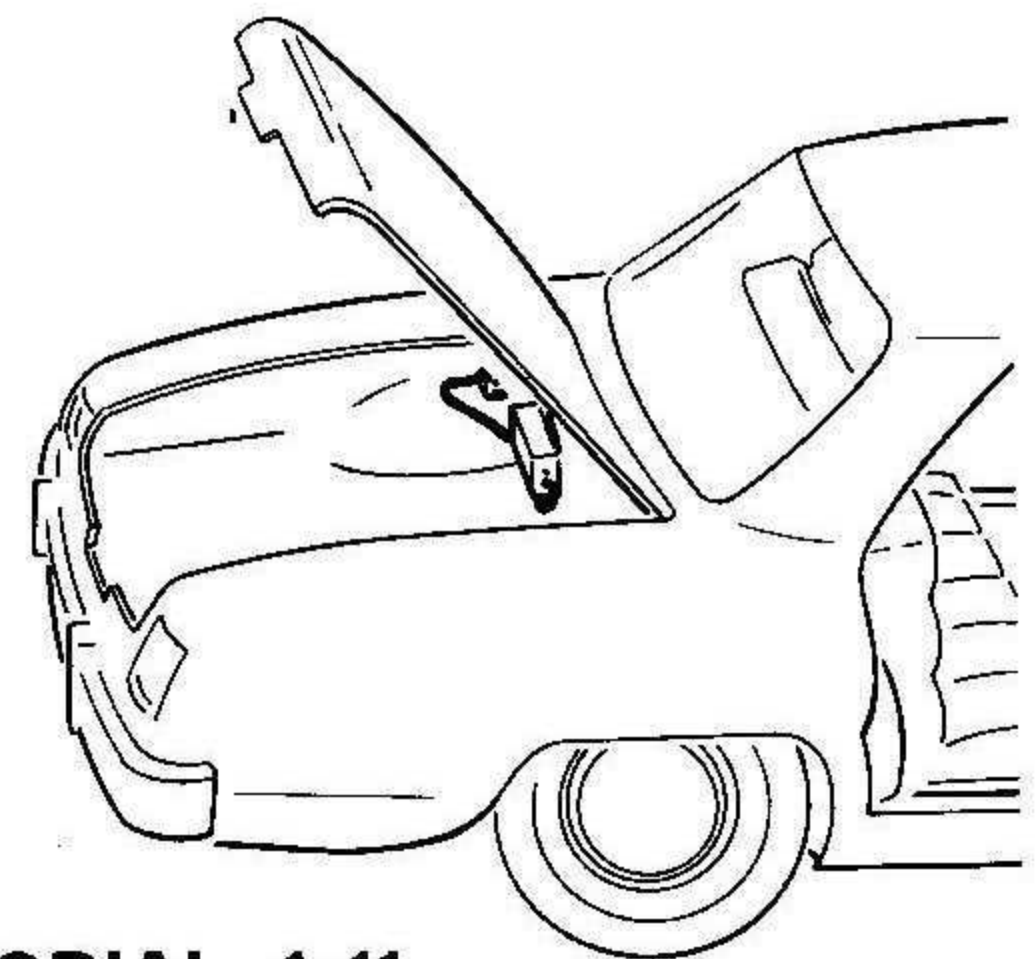
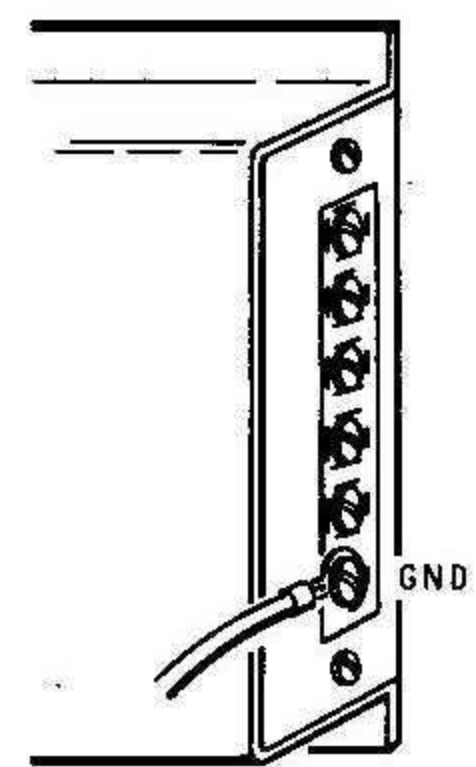
SEE NOTE #9 AND A, OR B, OR C.



NOTES:

1. ALL RESISTORS ARE 1/2-WATT UNLESS MARKED OTHERWISE. RESISTOR VALUES ARE IN OHMS (K-1,000, M-1,000,000).
2. ALL CAPACITOR VALUES LESS THAN 1 ARE IN  $\mu$ F. UNLESS MARKED OTHERWISE.
3. DC VOLTAGES WERE TAKEN WITH A HIGH IMPEDANCE INPUT VOLTMETER FROM THE POINT INDICATED TO THE CHASSIS GROUND. VOLTAGES MAY VARY  $\pm 20\%$ .
4. THIS SYMBOL INDICATES A DC VOLTAGE UNDER AN "ARMED" BUT SIREN NOT SOUNDING/ OR HORN NOT BLOWING
5. THIS SYMBOL INDICATES CHASSIS GROUND.

6. THIS SYMBOL INDICATES A DC VOLTAGE UNDER AN "ARMED" AND SIREN SOUNDING / OR HORN BLOWING
7. THIS SYMBOL INDICATES THE TYPE OF VOLTAGE AS IN NOTES 4 AND 6.
8. IN THE GDA-1157 AUTO INTRUSION ALARM, THE VALUE OF R23 IS 22K $\Omega$  AND THE VALUE OF R24 IS 33K $\Omega$ . IN THE GDA-1157-1 SIREN ACCESSORY, THE VALUE OF R23 IS 33K $\Omega$  AND THE VALUE OF R24 IS 82K $\Omega$ .
9. WIRES J1 THROUGH J4 ARE USED AS FOLLOWS:  
 #1 SEQUENCE - J1 AND J2  
 #2 SEQUENCE - J3 AND J4  
 GDA-1157-1 SIREN ACCESSORY - J2



PICTORIAL 4-11

ILLUS

+12 VOLT SOURCE

