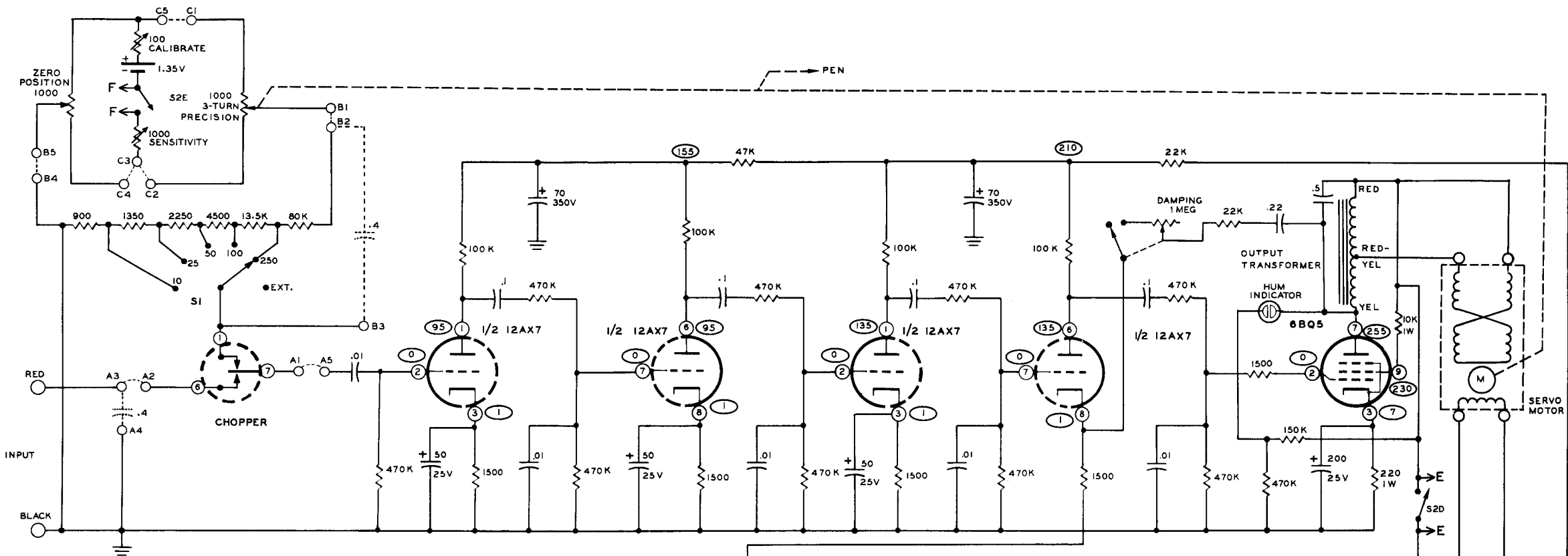


SPECIFICATIONS

Chart Paper.	Grid Width: 10" Length: 120 foot roll. Markings: 0-100, right to left.
Chart Speed.	2 inches per minute; additional motors for special chart speeds are available from Heath Company, see Page 20.
Chart Span.	Five fixed ranges: 10, 25, 50, 100, and 250 mv; plus a vernier adjustment between each fixed range, which provides adjustment of span to any value between 250 and 3.3 mv. There is also an EXTERNAL position for special plug-in fixed ranges.
Pen.	Standard fountain pen, cartridge type.
Balancing Time.	0.1 second per inch, 1 second full scale (10"). (50 cps, 1.5 seconds full scale).
Input Circuit.	Self-balancing potentiometric on all ranges.
Input Resistance.	Essentially infinite at null. Approximately 500 K Ω off null.
Overall Error.	Less than 1% of full scale from 10 to 250 mv.
Dead Zone.	Less than 0.5% of full scale from 10 to 250 mv.
Linearity.	Less than 0.5% full scale.
Maximum Recommended Source Resistance.	50 K Ω .
Reference Source.	Mercury cell.
Reference Cell Life.	300 hours (approximately).
Accessory Sockets.	10 watts may be drawn from each socket at 120 V AC. 10 watt total may be drawn at 240 V AC. 6.3 V AC at 50 ma may be drawn from the accessory 11-pin socket.
Power Requirements.	120/240 volts, 60 cps; 45 watts. (120/240 volts, 50 cps; 50 watts.)
Fuse.	1 ampere slow-blow.
Dimensions.	13-3/4" wide x 8-3/4" high x 13-3/8" deep.
Net Weight.	17 lbs.
Shipping Weight.	20 lbs.

All prices are subject to change without notice. The Heath Company reserves the right to discontinue instruments and to change specifications at

any time without incurring any obligation to incorporate new features in instruments previously sold.



**SCHEMATIC OF THE
HEATH
SCIENCE SERIES
SERVO - RECORDER
MODEL EUW-20A**

NOTES:

- S1 - RANGE SWITCH
- S2 - POWER SWITCH
- S2A CLOSSES IN STANDBY POSITION
- S2B, D, E, F CLOSSES IN SERVO POSITION
- S2C CLOSSES IN CHART POSITION
- 11-PIN ACCESSORY SOCKET VIEWED FROM INSIDE CHASSIS
- ALL RESISTORS ARE 1/2 WATT UNLESS SHOWN OTHERWISE.
- ALL RESISTOR VALUES ARE IN Ω , 1 K = 1000 Ω , 1 MEG = 1,000,000 Ω .

ALL CAPACITOR VALUES ARE IN μ fd.

○ INDICATES A VOLTAGE MEASUREMENT FROM POINT INDICATED TO CHASSIS EXCEPT FOR AC VOLTAGES ON THE POWER TRANSFORMER.

VOLTAGE READINGS TAKEN WITH AN 11 MEGOHM INPUT VTVM WITH THE CIRCUIT CONNECTED AS SHOWN, INPUT SHORTED, SYSTEM BALANCED, SERVO POWER ON.

