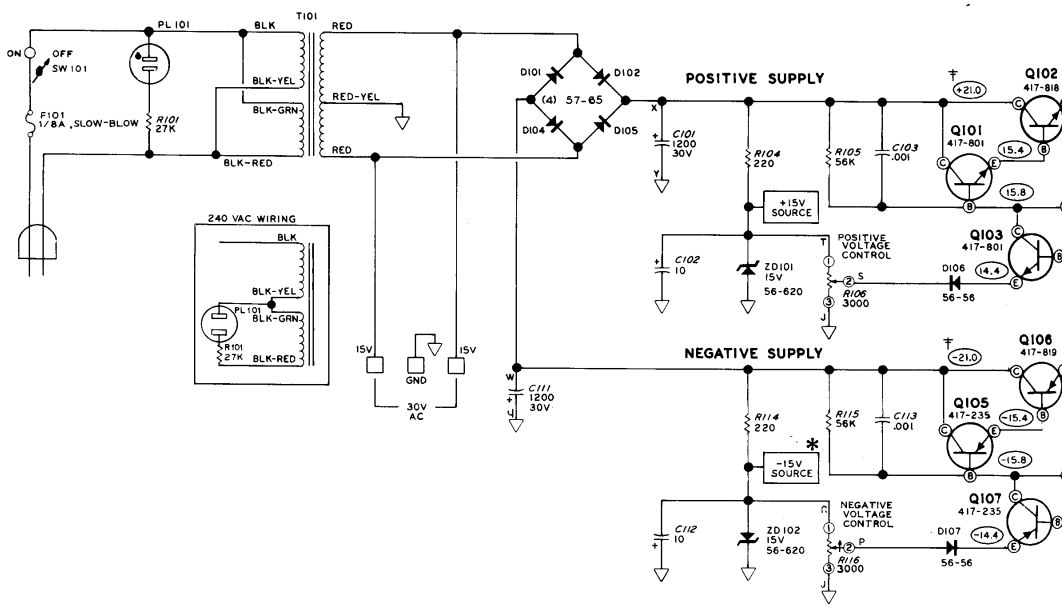
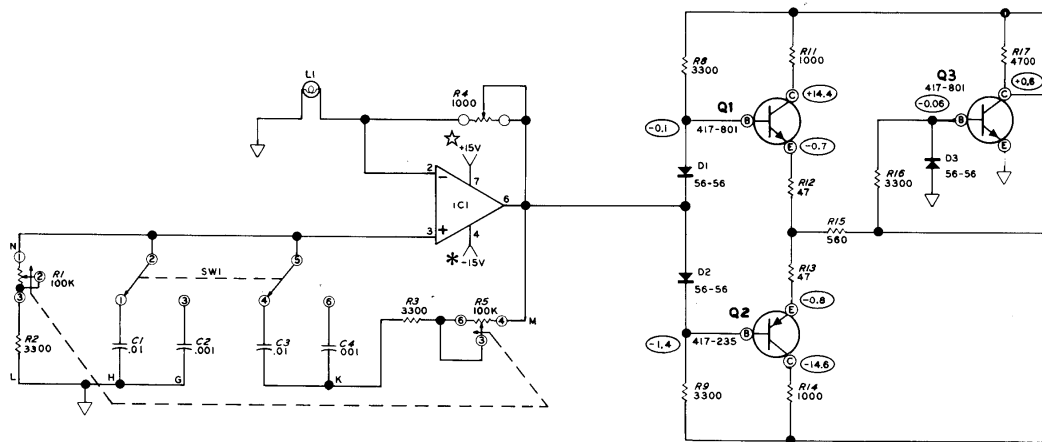
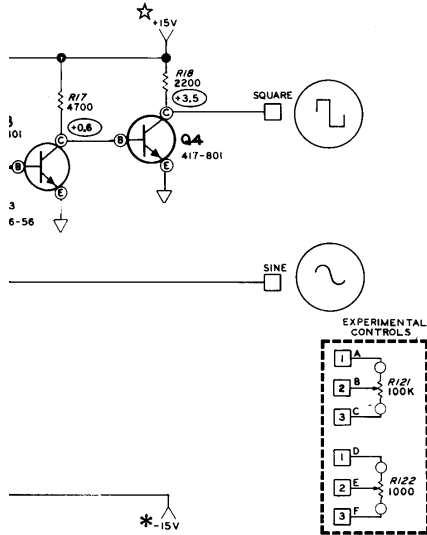


SIGNAL GENERATOR

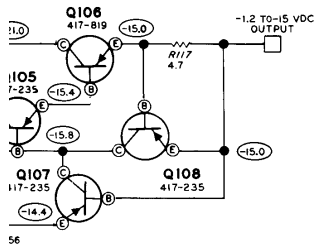
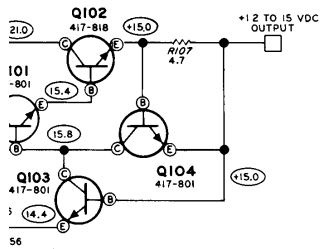




**SCHEMATIC OF THE
HEATHKIT®
ELECTRONIC DESIGN
EXPERIMENTER
MODEL ET-3100**

NOTES:

- COMPONENT NUMBERS ARE IN THE FOLLOWING GROUPS:
1 - 99 PARTS IN THE SIGNAL GENERATOR.
100 - 199 PARTS IN THE POWER SUPPLIES AND TWO EXPERIMENTAL CONTROLS.
- ALL RESISTORS ARE 1/2 WATT. RESISTOR VALUES ARE IN OHMS (K = 1000; M = 1,000,000).
- ALL CAPACITOR VALUES ARE IN HF.
- THIS SYMBOL INDICATES A DC VOLTAGE TAKEN WITH A HIGH IMPEDANCE VOLTMEETER FROM THE POINT INDICATED TO CHASSIS GROUND.
- ☆ THIS SYMBOL INDICATES A CONNECTION TO THE +15 V SOURCE - NOT THE VARIABLE DC OUTPUT.
- * THIS SYMBOL INDICATES A CONNECTION TO THE -15 V SOURCE - NOT THE VARIABLE DC OUTPUT.
- POWER SUPPLY VOLTAGES WERE TAKEN WITH BOTH OUTPUTS ADJUSTED TO 15 VOLTS.
- ⚡ THIS SYMBOL INDICATES A VOLTAGE THAT WILL VARY AS THE LOAD AND LINE VOLTAGE VARY.
- ↻ THIS SYMBOL INDICATES THE CLOCKWISE ROTATION OF A CONTROL.



Copyright © 1976
Heath Company
All Rights Reserved
Printed in the United States of America

Part of 595-1734-02