

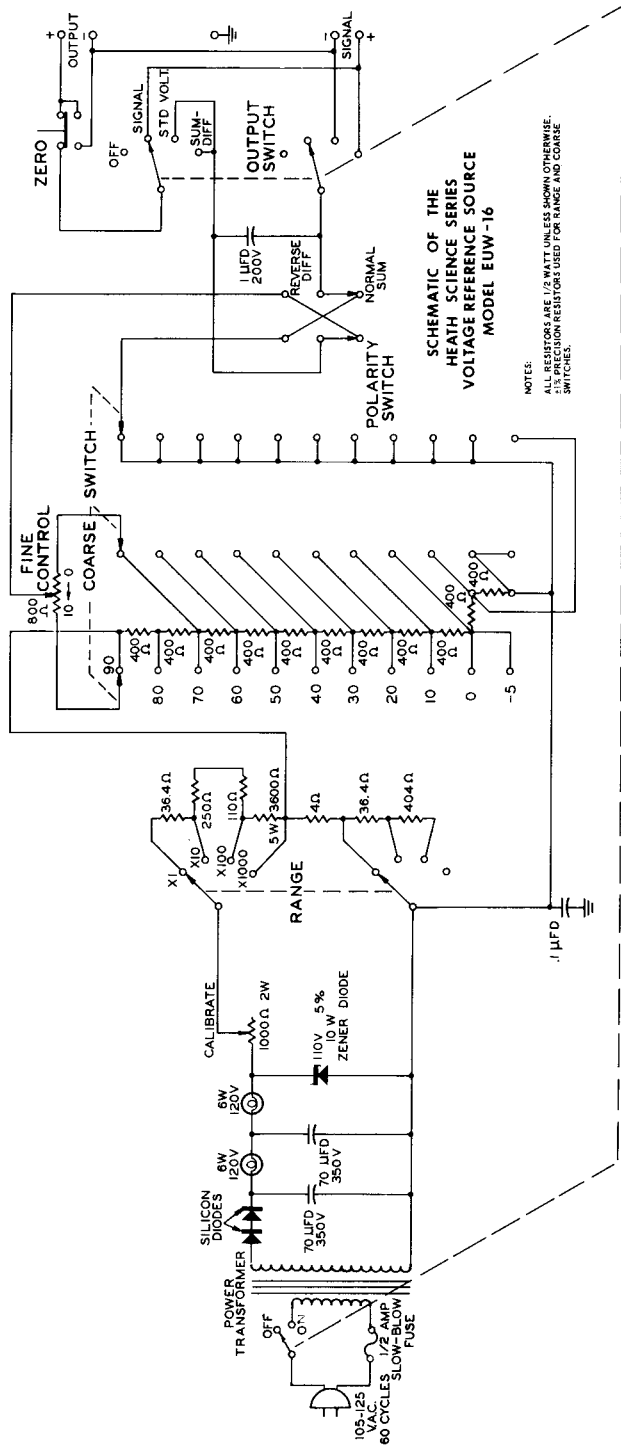
## SPECIFICATIONS

Output Voltage. . . . .	0-100 volts DC, Zener stabilized.
Maximum Load (minimum load resistance). . . . .	150 K $\Omega$ on all ranges to keep the unit within specified accuracy.
Resolution. . . . .	.1 mv on X1 range. 1 mv on X10 range. 10 mv on X100 range. 100 mv on X1000 range.
Accuracy. . . . .	$\pm 1\%$ for COARSE VOLTAGE settings and $\pm 2\%$ for FINE VOLTAGE settings.
Readout. . . . .	Directly on three dials: COARSE VOLTAGE, FINE VOLTAGE, RANGE.
Controls -	
COARSE Voltage. . . . .	0-90 mv, in 10 mv steps (plus a -5 position).
FINE Voltage. . . . .	0-10 mv, continuous.
RANGE. . . . .	X1, X10, X100, X1000.
OUTPUT Selector . . . . .	Four positions: AC OFF, SIGNAL, STD VOLT-ages, SUM-DIFFerence.
POLARITY Switch. . . . .	NORMAL (SUM) position, or REVERSE (DIFFerence) position.
Pushbutton ZERO. . . . .	Shorts OUTPUT terminals together.
Power Required. . . . .	25 watts, 117 V AC, 50/60 cps.
Fuse. . . . .	1/2 ampere slow-blow.
Dimensions. . . . .	5-3/4" high x 8-1/4" wide x 8" deep.
Net Weight. . . . .	4-1/2 lbs.
Shipping Weight. . . . .	5 lbs.

---

All prices are subject to change without notice. The Heath Company reserves the right to discontinue instruments and to change specifications at

any time without incurring any obligation to incorporate new features in instruments previously sold.



SCHEMATIC OF THE  
HEATH SCIENCE SERIES  
VOLTAGE REFERENCE SOURCE  
MODEL EUW-16

NOTES:  
ALL RESISTORS ARE 1/2 WATT UNLESS SHOWN OTHERWISE.  
RESISTOR TOLERANCES USED FOR RANGE AND COARSE  
SWITCHES.