
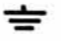




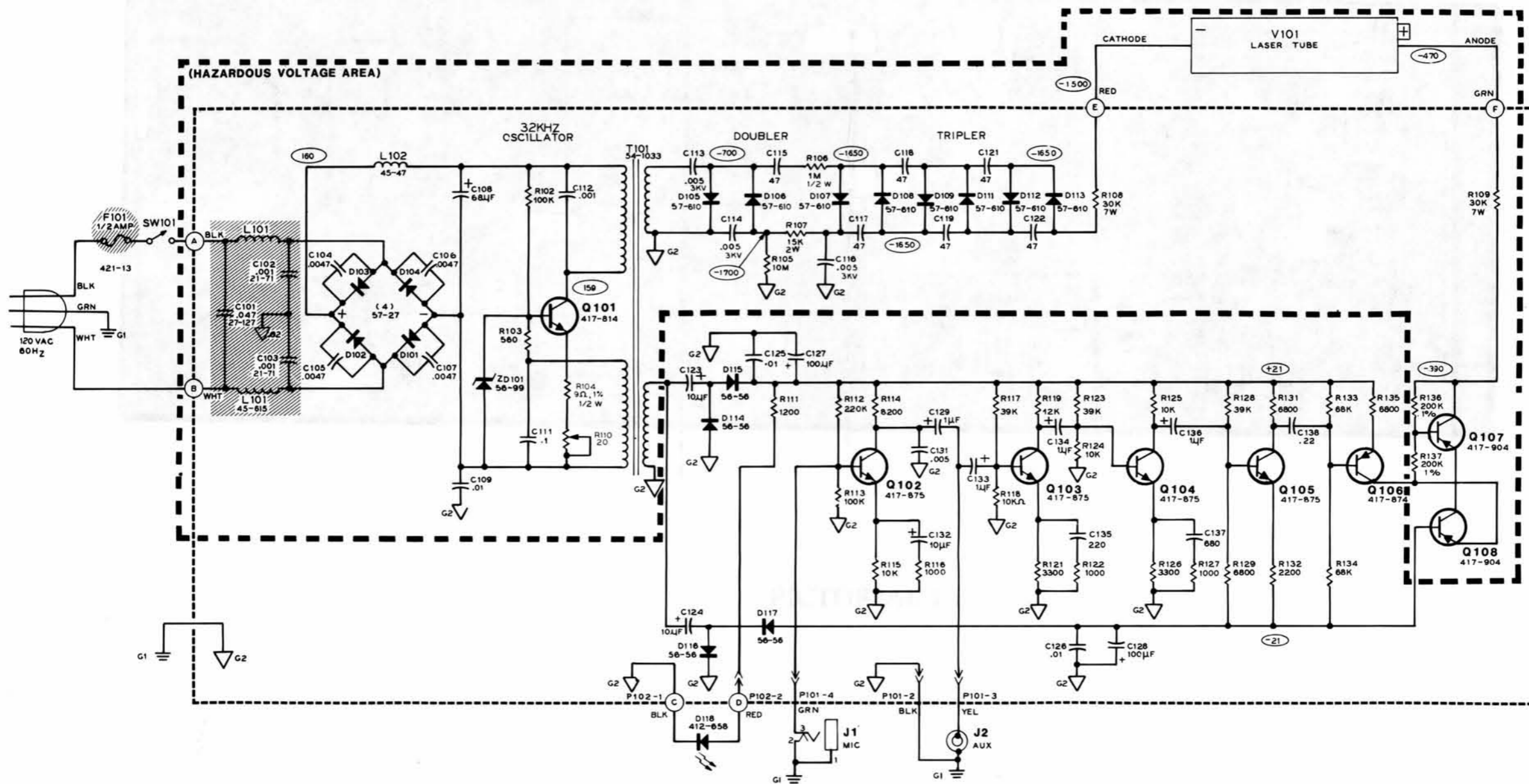
SCHEMATIC OF THE HEATHKIT® LASER TRAINER MODEL ET/ETW-4200

- NOTES:**
1. REFER TO THE "CIRCUIT BOARD X-RAY VIEW" (ILLUSTRATION BOOKLET PAGE 18) FOR THE PHYSICAL LOCATION OF PARTS.
 2. ALL RESISTORS ARE 1/4-WATT, 5% TOLERANCE UNLESS OTHERWISE SPECIFIED (K=10,000, M=1,000,000).
 3. ALL CAPACITORS LESS THAN 1 ARE IN UF (MICROFARADS), THOSE OF 1 OR GREATER ARE IN pF (PICOFARADS), UNLESS OTHERWISE SPECIFIED.
 4. MEASURED WITH A X100 HIGH-VOLTAGE PROBE TO KEEP CIRCUIT LOADING MINIMAL. NOT TO DO SO MAY DAMAGE THE CIRCUITRY.

5. THE FOLLOWING SYMBOLS ARE USED ON THIS SCHEMATIC DIAGRAM:

-  G2: CIRCUIT BOARD GROUND
-  G1: CHASSIS GROUND
-  A CIRCUIT BOARD WIRE CONNECTION.
-  A DC VOLTAGE READING TAKEN WITH A HIGH INPUT IMPEDANCE VOLTMETER FROM THE POINT INDICATED TO CHASSIS GROUND. VOLTAGES MAY VARY -20%. VOLTAGES WERE MEASURED WITH THE EXT TRIG BUTTON DEPRESSED, ZERO DC OFFSET VOLTAGE, WITH NO EXTERNAL TRIGGER VOLTAGE APPLIED.

SHADED AREAS:
SAFETY-CRITICAL PARTS. USE EXACT REPLACEMENT PARTS FROM HEATH COMPANY ONLY.



SCHEMATIC DIAGRAM