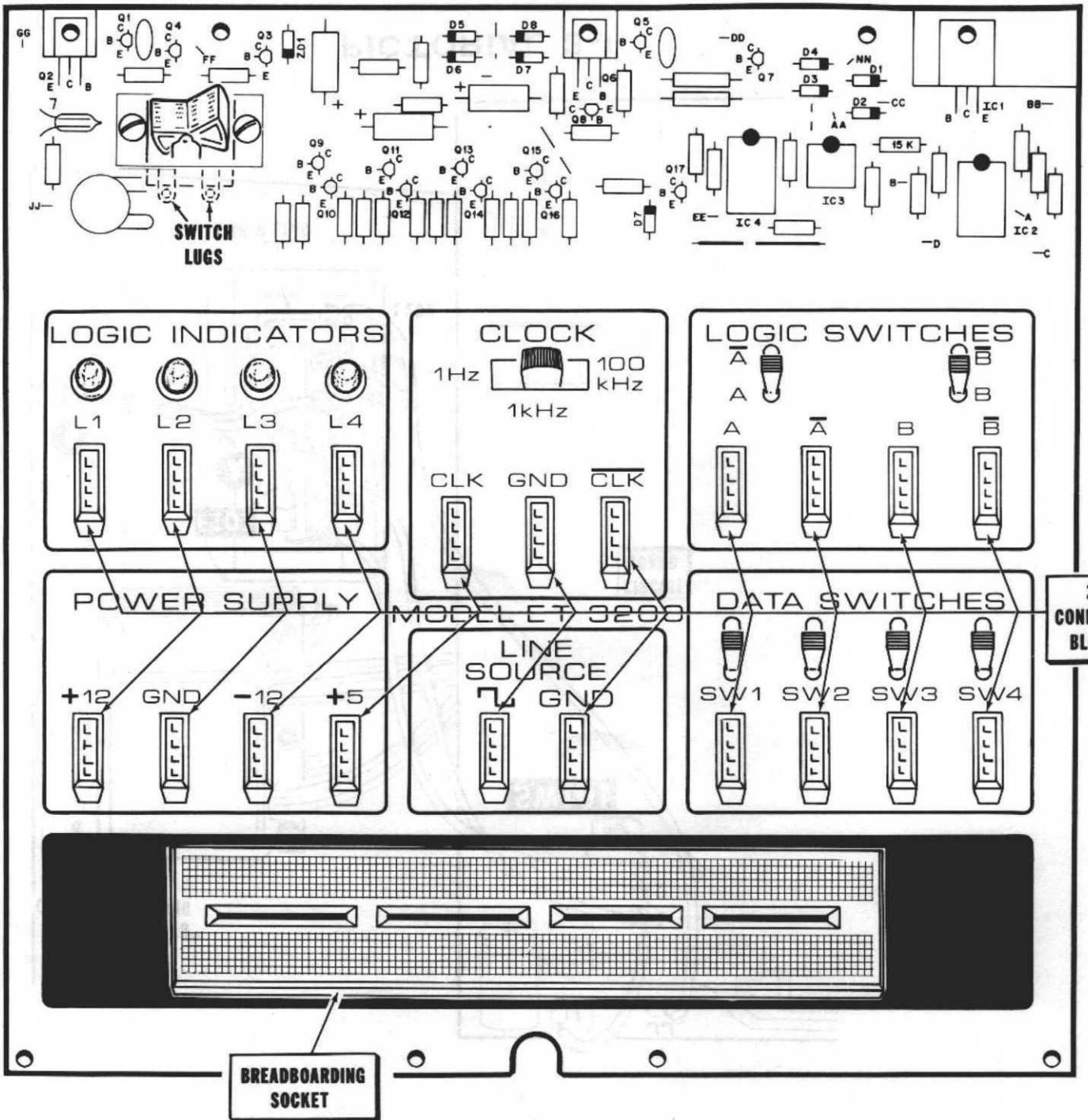
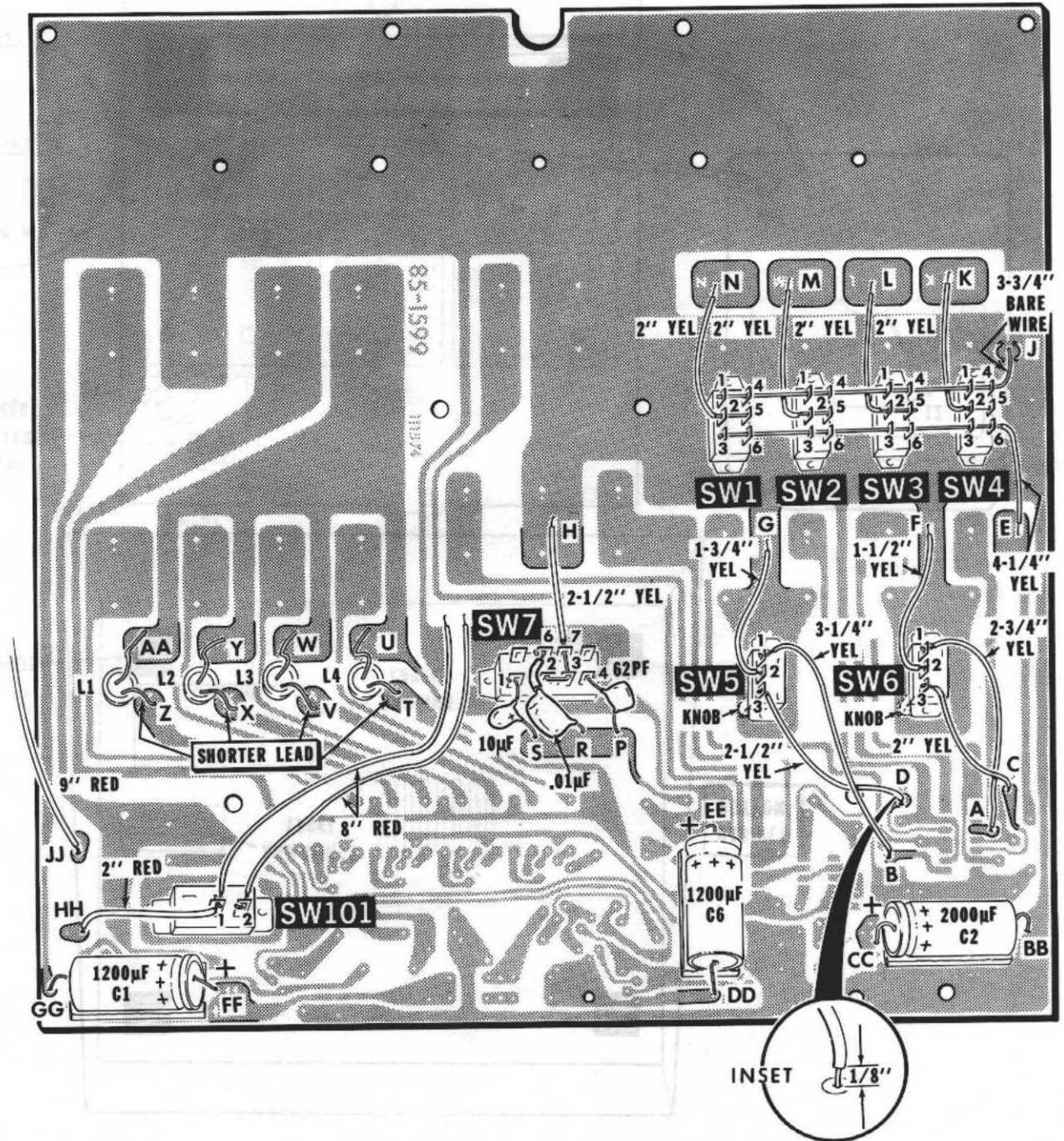


# ILLUSTRATION



PICTORIAL 2-1

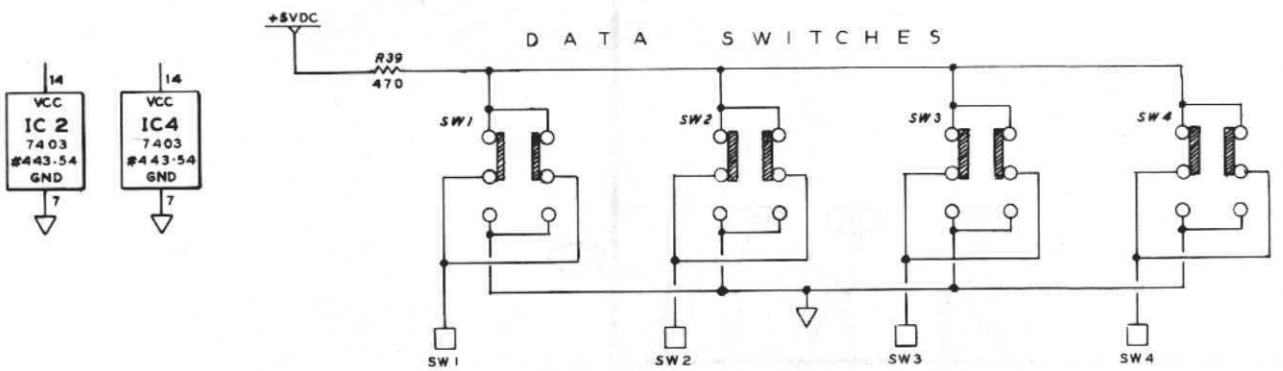
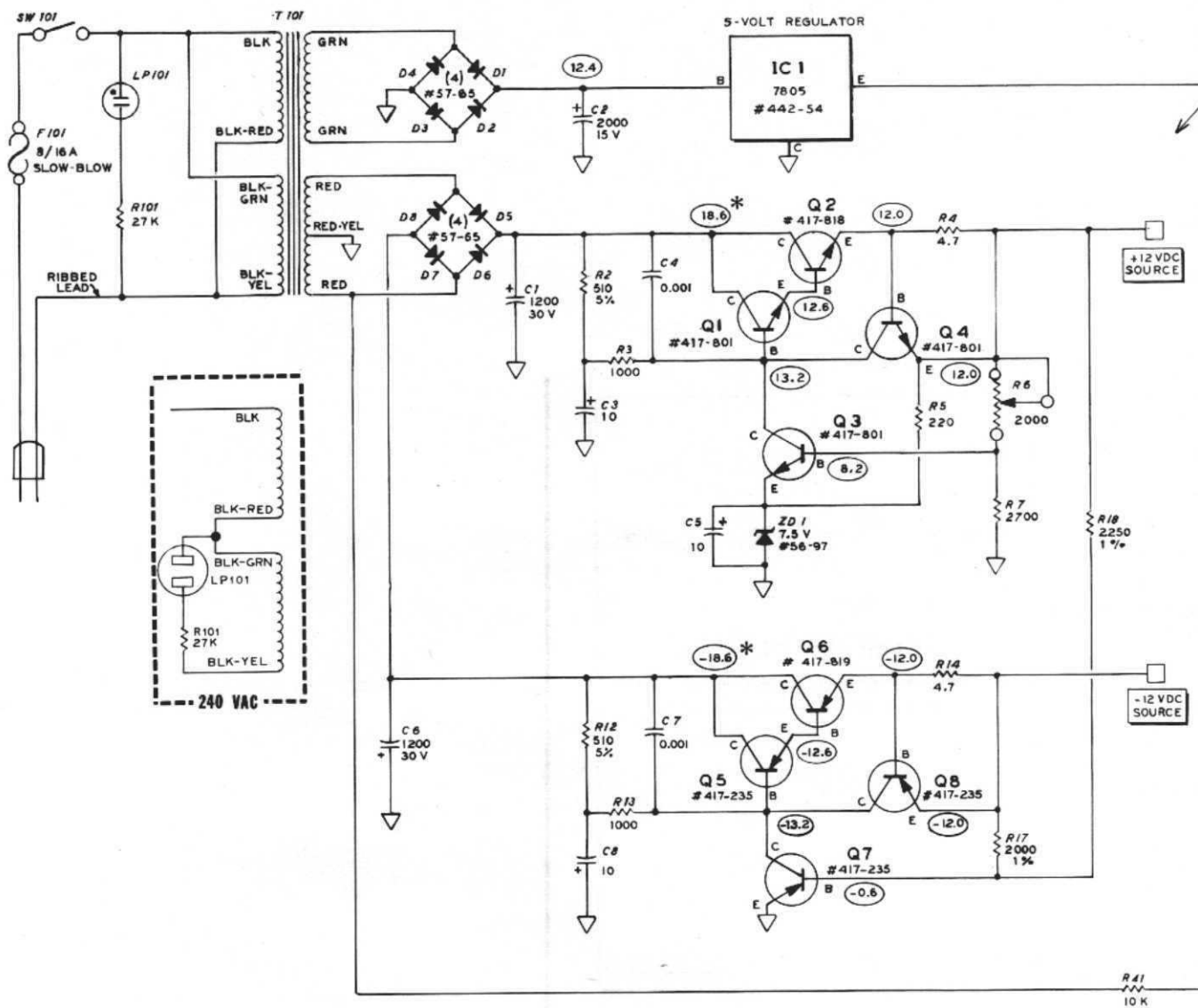
# TION BOOKLET



PICTORIAL 2-2

MODEL ET-3200

Copyright © 1978  
Heath Company  
All Rights Reserved

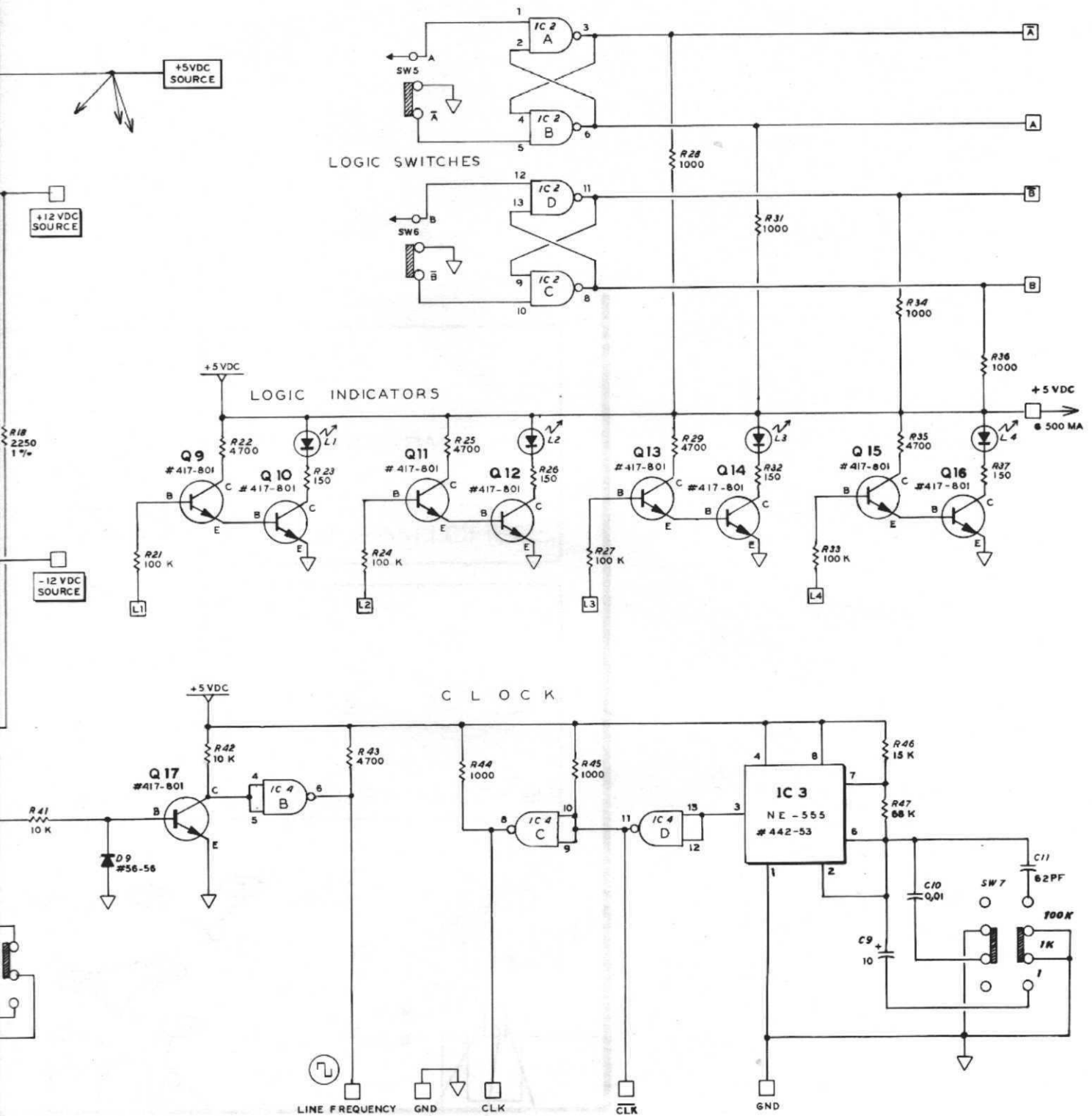


## SCHEMATIC OF THE HEATHKIT®

### DIGITAL DESIGN EXPERIMENTER

### MODEL ET-3200

1. ALL RESISTOR VALUES ARE IN OHMS: K=
2. ALL RESISTORS ARE 1/2 WATT, 10% UNLESS INDICATED.
3. ALL CAPACITOR VALUES ARE IN μF UNLESS INDICATED.



**NOTES:**

IN OHMS: K=1000.

TT, 10% UNLESS OTHERWISE

E IN  $\mu$ F UNLESS OTHERWISE

4.  THIS SYMBOL INDICATES CIRCUIT GROUND.

5.  THIS SYMBOL INDICATES A DC VOLTAGE MEASURED WITH A HIGH IMPEDANCE VOLTMETER FROM THE POINT INDICATED TO CIRCUIT GROUND.

6. \* THESE VOLTAGES WILL VARY WITH THE LOAD.