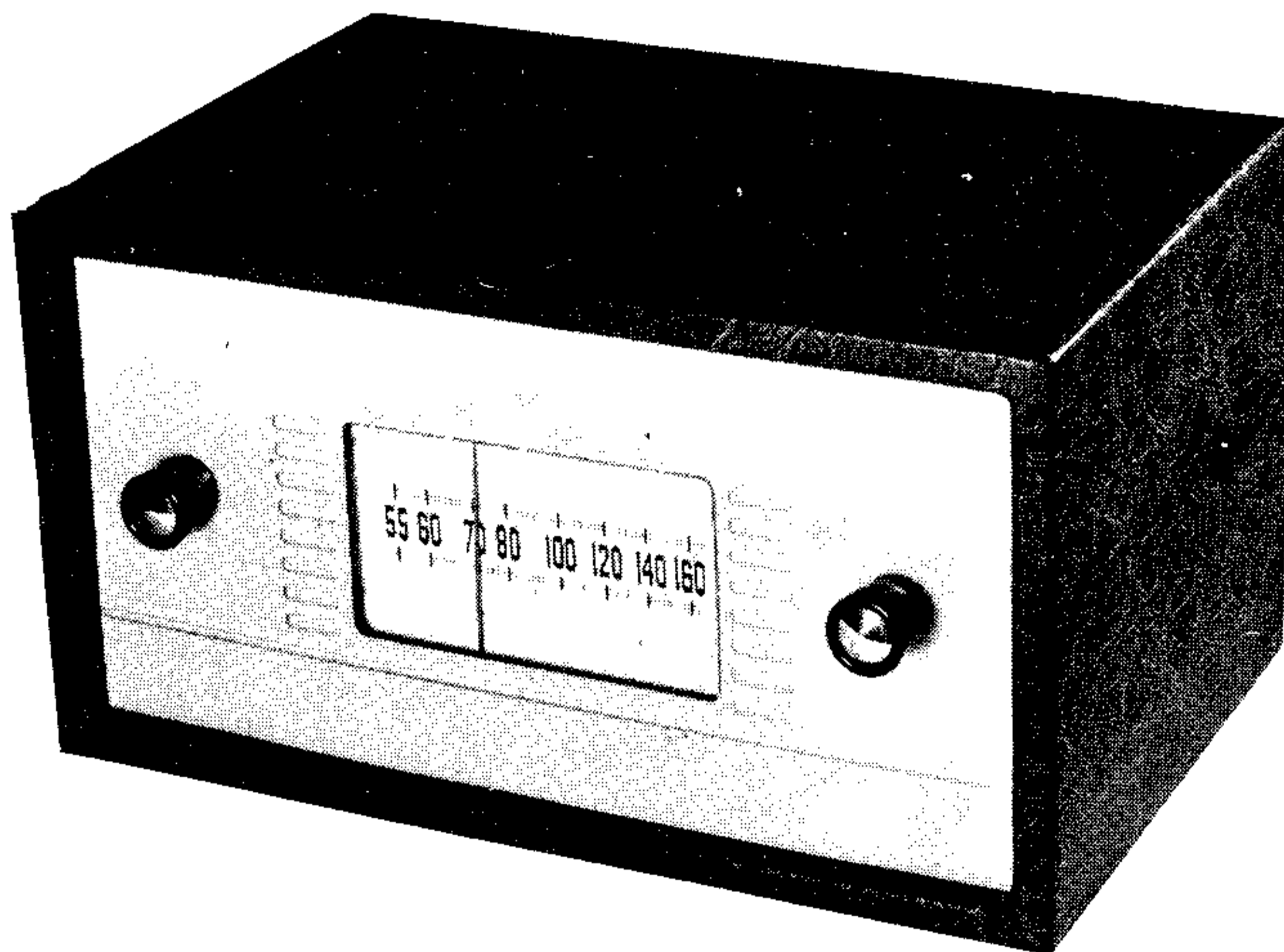


# HEATHKIT BROADCAST BAND RECEIVER

## MODEL BR-2

WWW.VINTAGE-RADIO.INFO



### SPECIFICATIONS

#### Radio

|                         |                                    |
|-------------------------|------------------------------------|
| Tuning Range.....       | 550 kc to 1620 kc                  |
| I. F. Frequency.....    | 455 kc                             |
| Antenna.....            | Built-in High Sensitivity Rod Type |
| Speaker (included)..... | 5 1/2" PM 4 ohm Voice Coil         |

#### Tuner Operation

|             |  |
|-------------|--|
| Output..... | High impedance to any amplifier input with resistance of 100,000 ohms or more. 110 V outlet provided for amplifier, phono player, etc. |
|-------------|--|

#### Phonograph

|            |  |
|------------|--|
| Input..... | 1 megohm high impedance for optimum performance with any good quality crystal or ceramic phono pickup. |
|------------|--|

#### Tube Complement.....

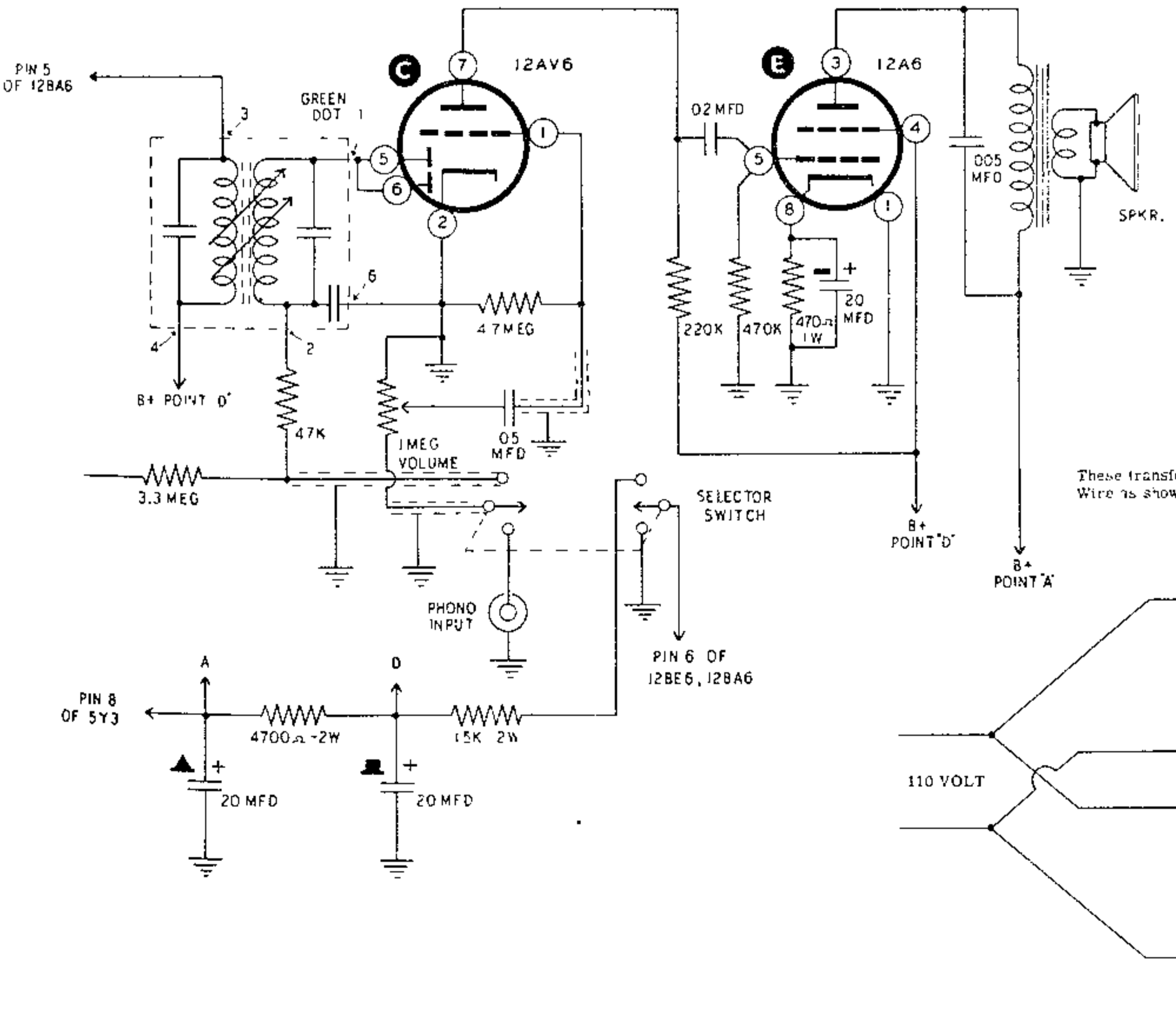
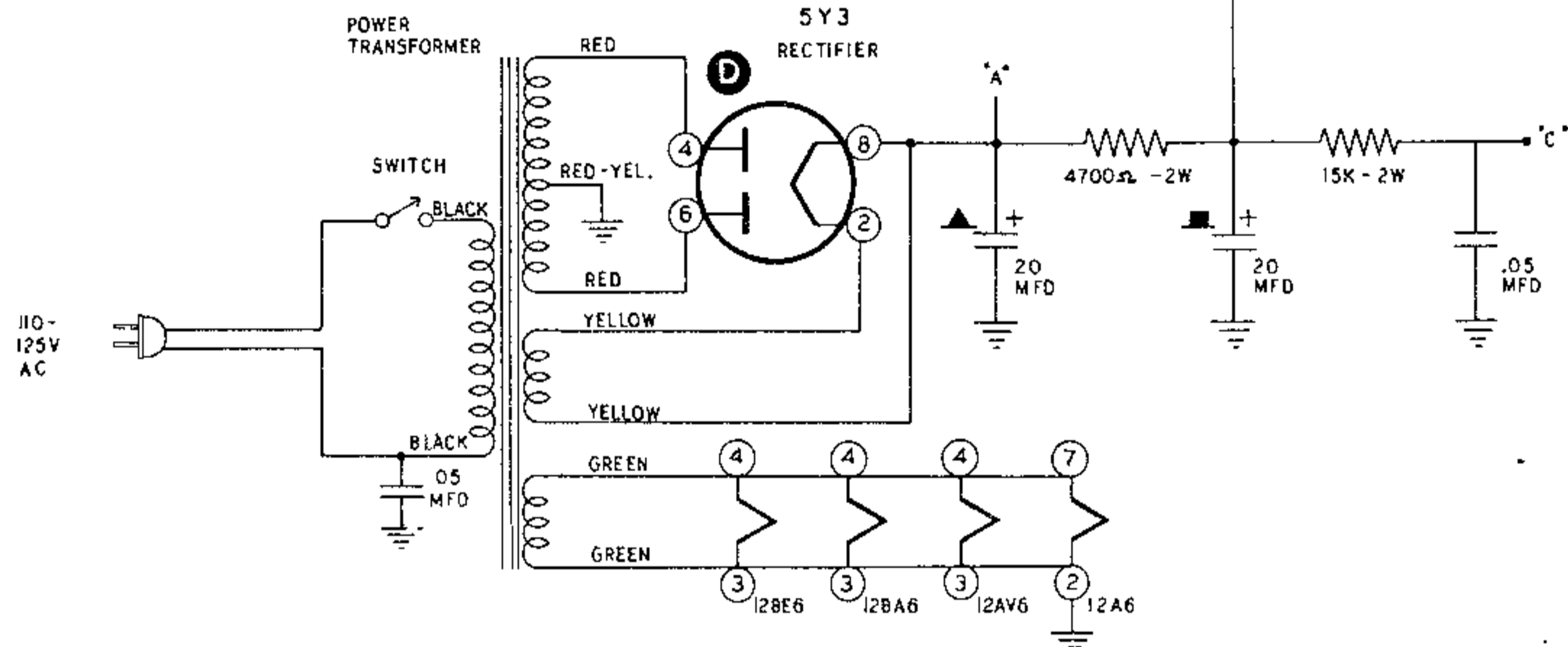
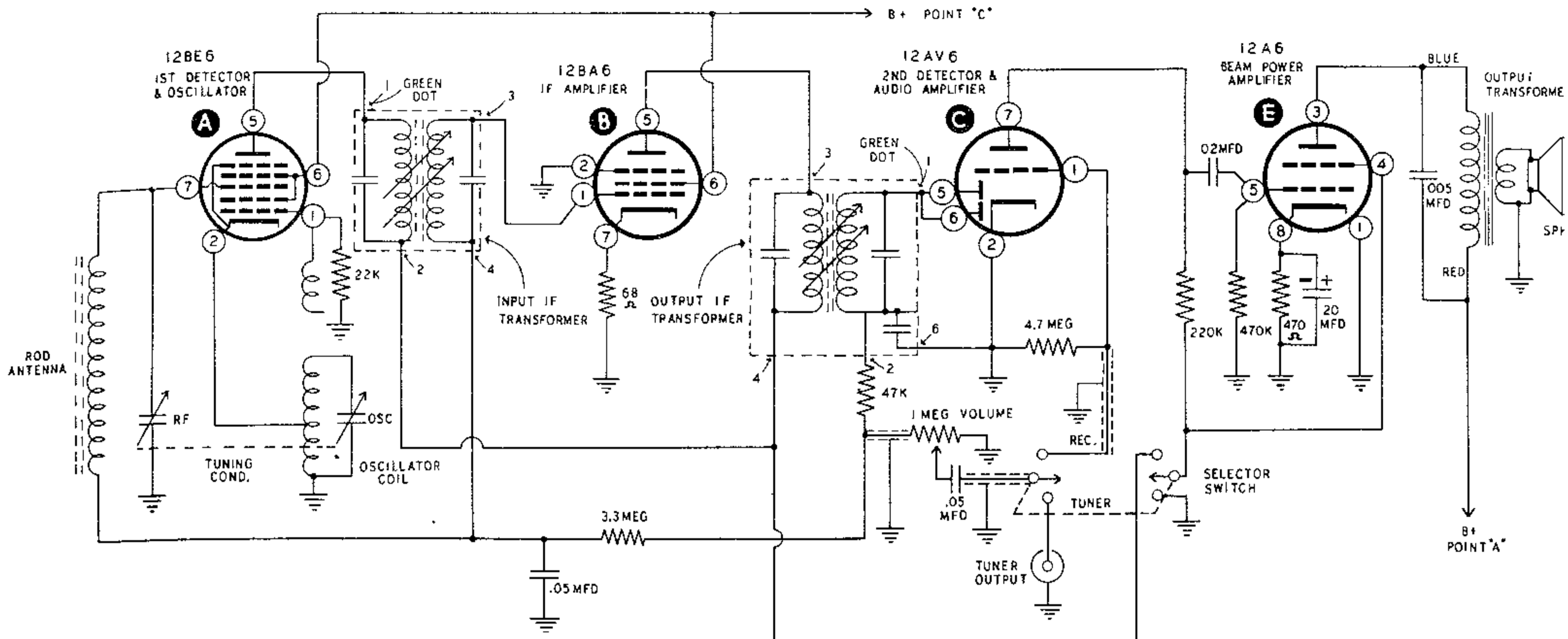
- 1 - 5Y3 Rectifier
- 1 - 12A6 Beam Power Amplifier
- 1 - 12AV6 Detector, A.V.C. and Audio Amplifier
- 1 - 12BA6 I. F. Amplifier
- 1 - 12BE6 Pentagrid Converter

#### Power Requirements.....

105-125 V 50-60 cycles AC 40 watts

#### Dimensions.....

11 1/2" wide, 5 3/4" high, 6 3/4" deep



WIRING OF EXPORT TYPE  
110/220 VOLT POWER  
TRANSFORMERS

These transformers have a dual primary for use on either 110 Volts or 220 Volts. Wire as shown.

