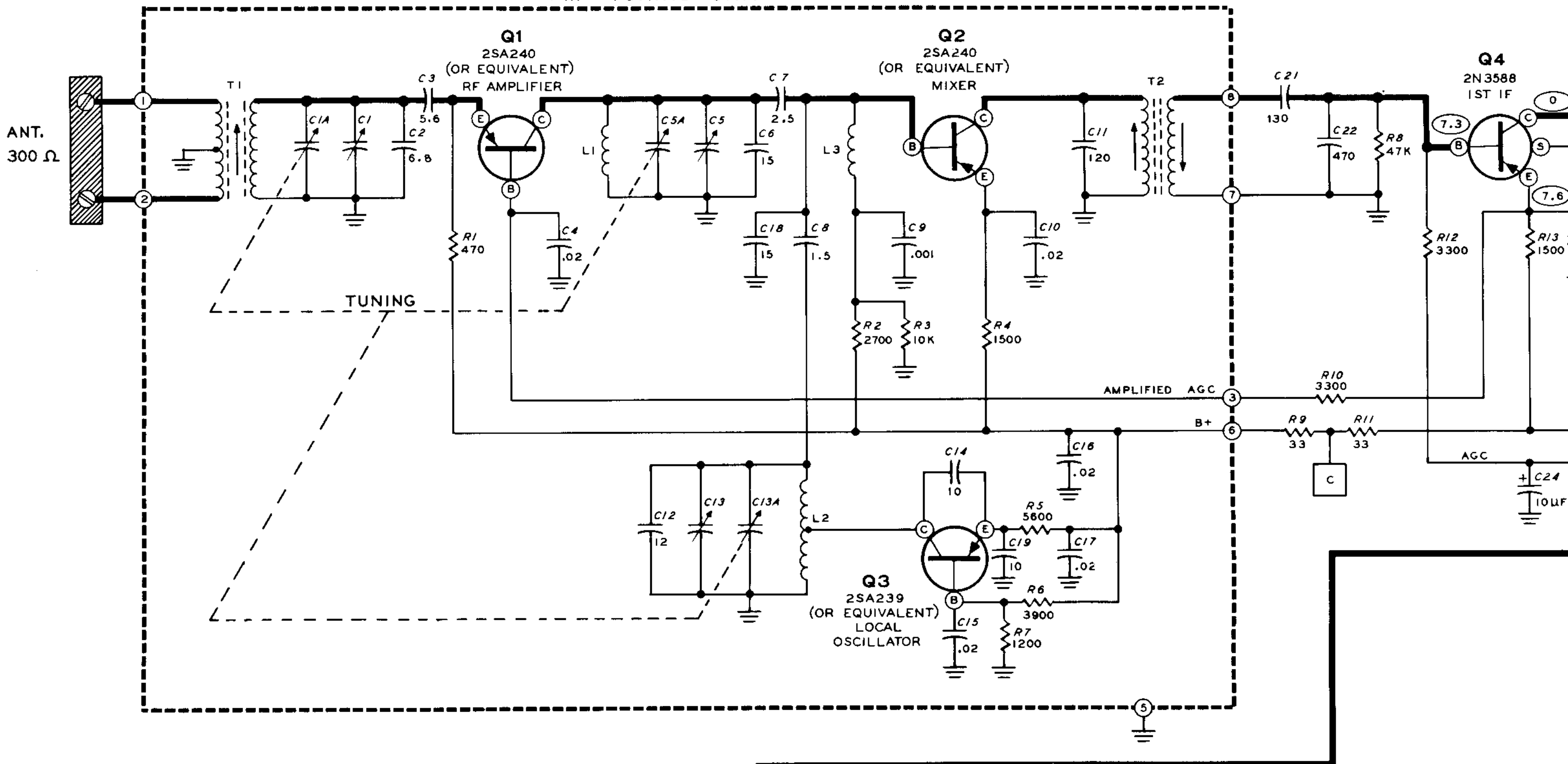


# FM TUNING UNIT



## SCHEMATIC OF THE HEATHKIT® SOLID-STATE MONO FM RECEIVER MODEL AR-27

**NOTE:**

1. RESISTOR AND CAPACITOR NUMBERS ARE IN THE FOLLOWING GROUPS:

0-99 NUMBERS IN THE FM TUNER SECTION.  
100-199 NUMBERS IN THE AMPLIFIER SECTION.  
200-299 NUMBERS IN THE POWER SUPPLY SECTION.  
\* DENOTES PARTS NOT MOUNTED ON THE CIRCUIT BOARD.

2. ALL RESISTORS ARE 1/2 WATT UNLESS MARKED OTHERWISE. RESISTOR VALUES ARE IN OHMS (K = 1000, MEG = 100,000).

3. CAPACITOR VALUES LESS THAN 1 ARE IN  $\mu\text{fd}$ . VALUES OF 1 AND ABOVE ARE IN pF, UNLESS THEY ARE MARKED OTHERWISE.

4. ○ THIS SYMBOL INDICATES A POSITIVE DC VOLTAGE MEASUREMENT, TAKEN WITH AN 11 MEGOHM ELECTRONIC VOLTMETER OR VTVM FROM THE POINT INDICATED TO CHASSIS GROUND.

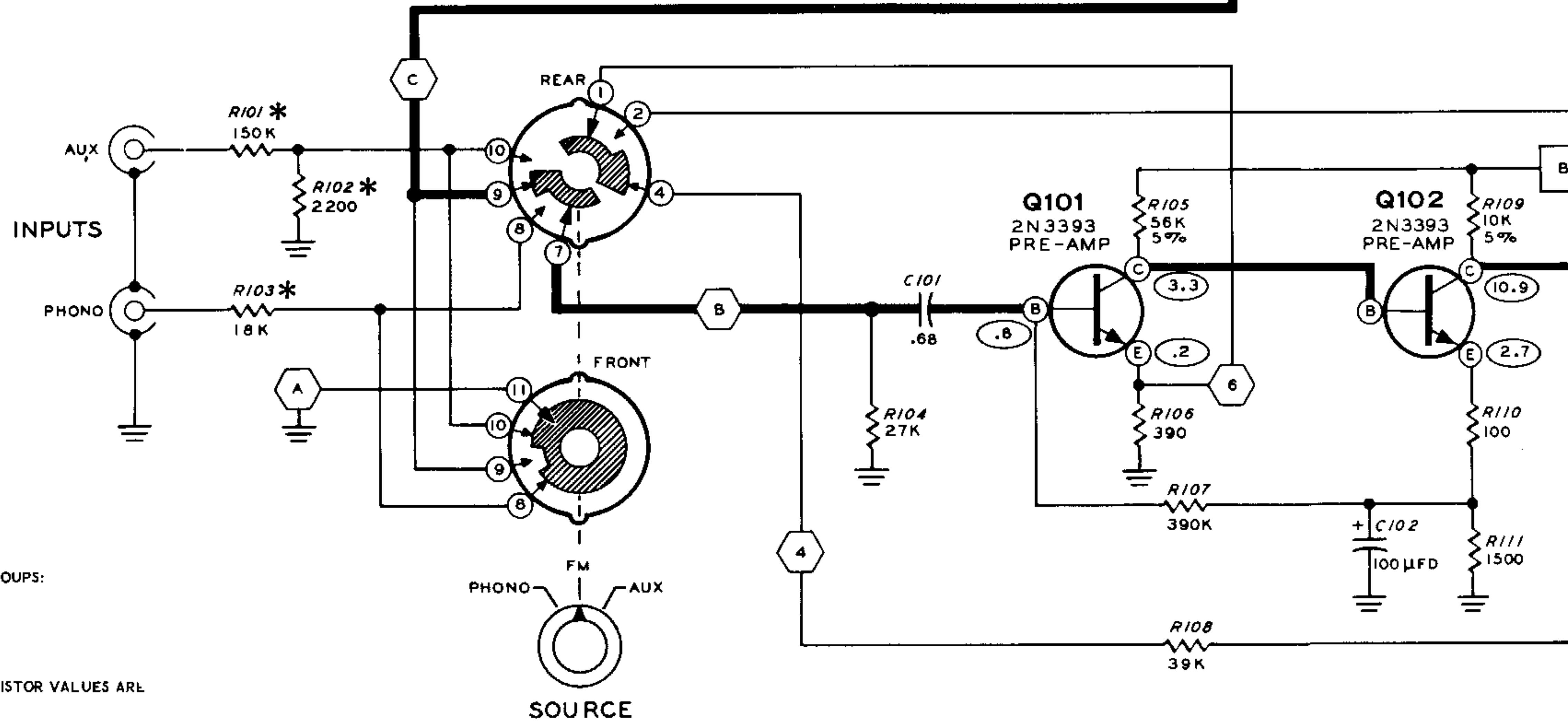
5. □ INDICATES B+ VOLTAGE POINTS.

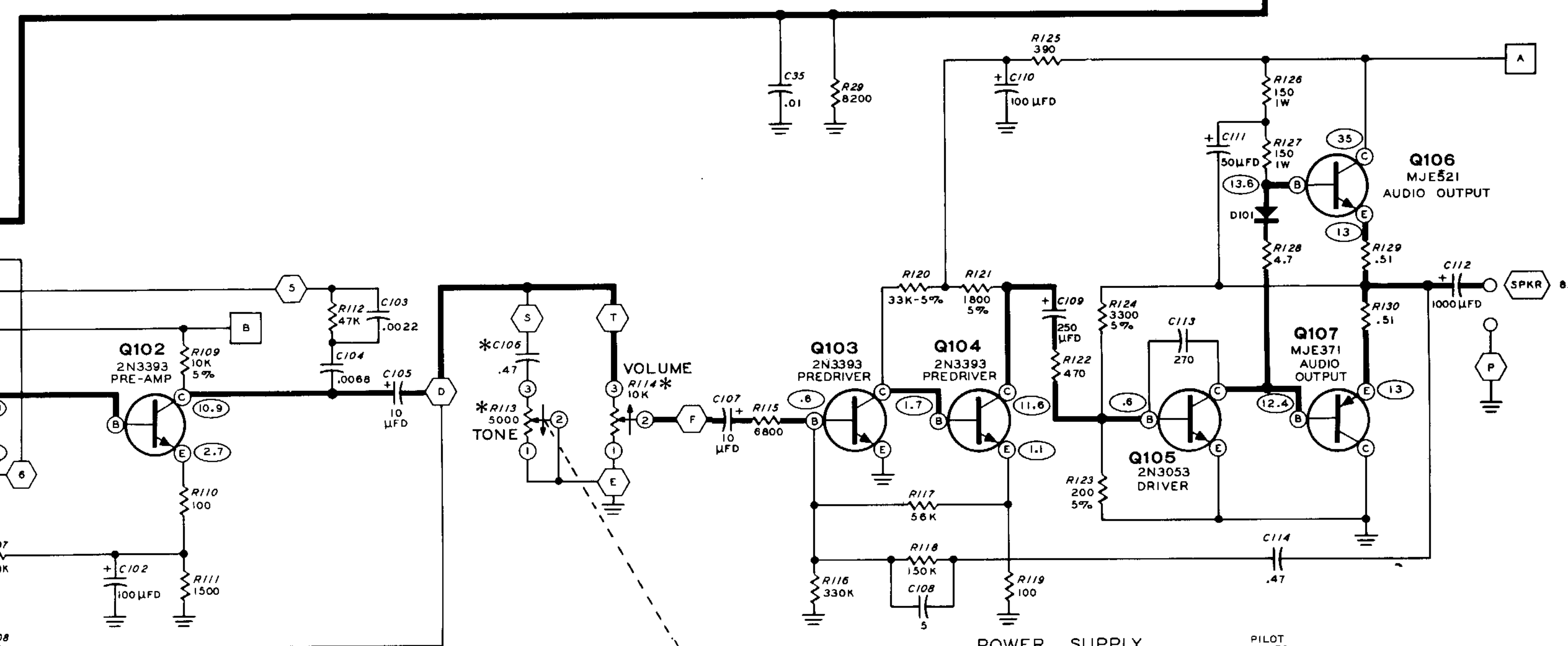
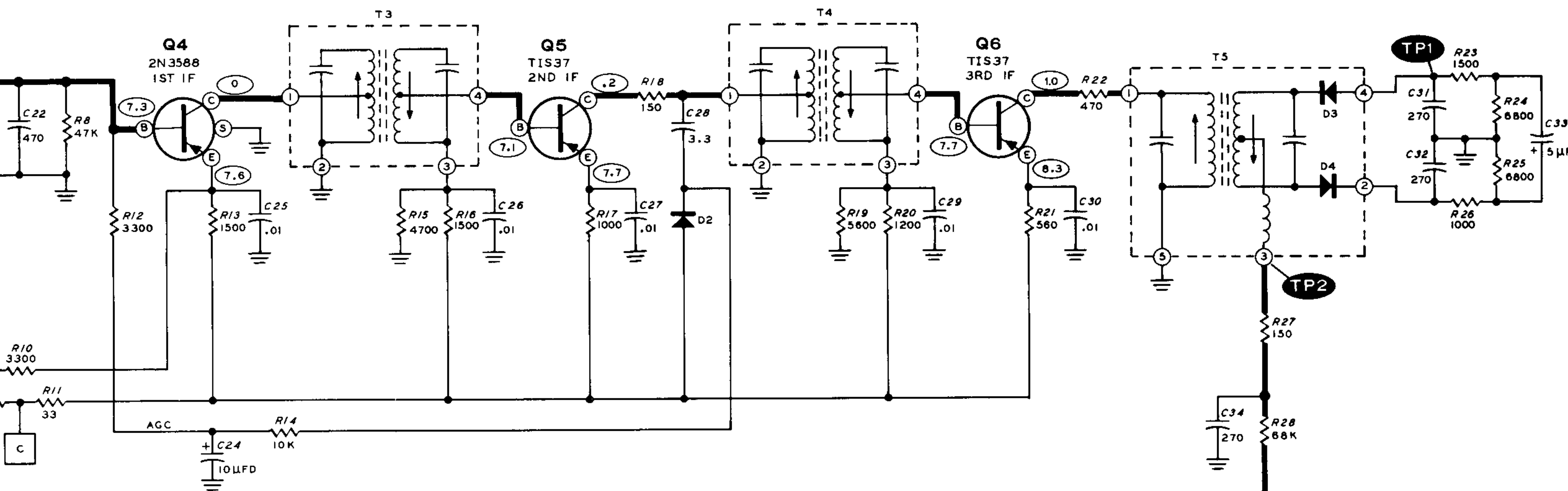
6. ○ INDICATES CONNECTING POINTS ON THE CIRCUIT BOARD.

7. REFER TO THE CIRCUIT BOARD X-RAY VIEW AND CHASSIS PHOTO FOR THE PHYSICAL LOCATION OF PARTS.

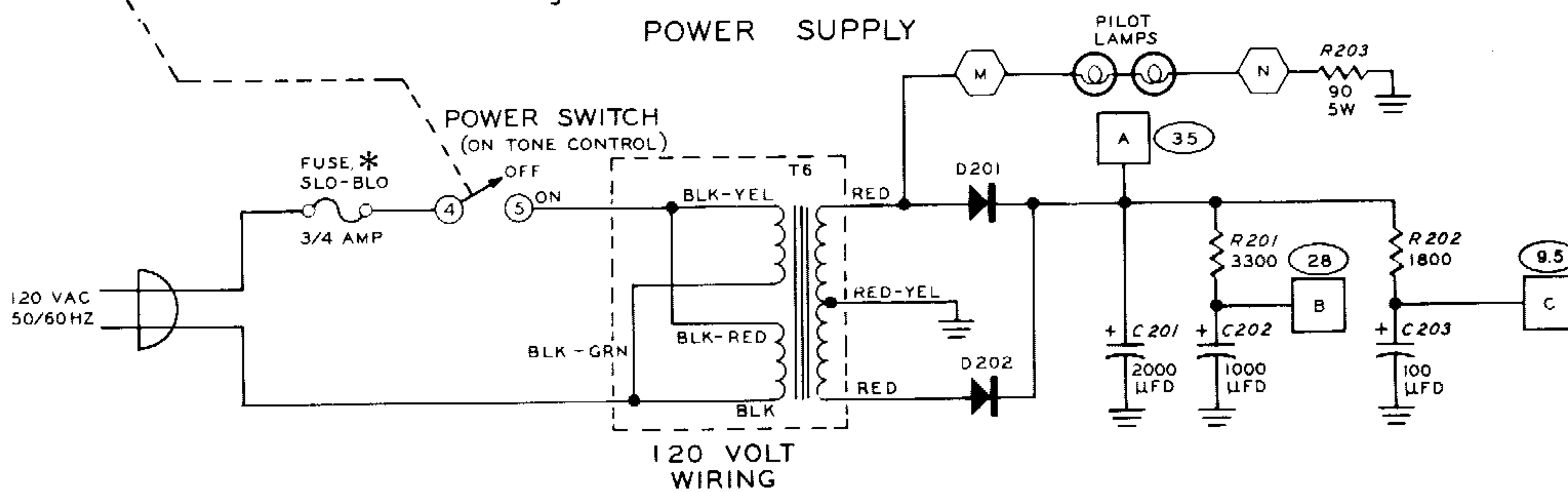
8. → INDICATES CW ROTATION.

9. ALL VOLTAGES ARE MEASURED WITH NO SIGNAL INPUT.





POWER SUPPLY



ALTERNATE  
240 VOLT  
WIRING

